

Gambe per mobili, Scivoli e ruote

05

Le gambe, le rotelle e le guide dei mobili sono un tipo di ferramenta altamente funzionale che può anche migliorare l'aspetto dei mobili utilizzando forme, materiali e colori diversi. Questo capitolo offre diversi tipi di gambe in plastica per mobili da cucina, che sono regolabili in altezza e consentono il fissaggio di zoccoli, ma puoi anche scegliere tra molti altri tipi di gambe regolabili per diversi tipi di mobili. Una sezione separata è anche un'ampia gamma di gambe di design, in diversi materiali, dimensioni, colori e finiture. Una parte essenziale di questo sono le ruote per mobili di design, e le ruote per uso tecnico, che hanno diverse capacità di carico e le loro superfici sono realizzate con materiali adatti al movimento su pavimenti duri o morbidi. Offriamo anche alianti per mobili in questa sezione.



● Kitchen Adjustable Legs	5.3
● Furniture Adjustable Legs and Glides	5.9
Adjustable Furniture Legs	5.9
Glides	5.14
● Furniture Legs	5.16
● Plastic Furniture Legs	5.29
● Wooden Furniture Legs	5.35
● Furniture Castors	5.37

Kitchen Adjustable Legs

05

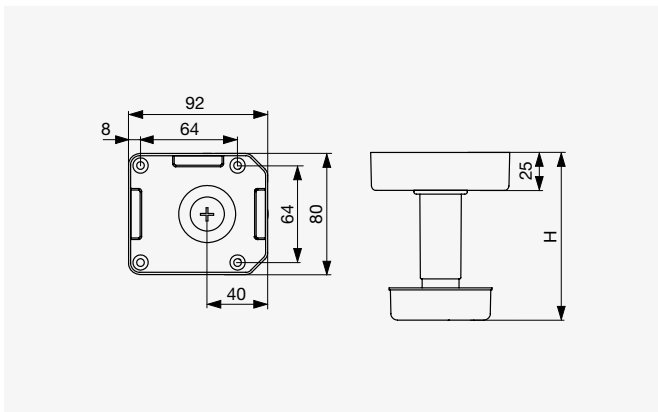
- Build for high loading capacity
- Ideal for bottom kitchen cabinets
- Optionally also for wardrobe application
- 2 or 3 parts composition



⊕ Riex GK50 Kitchen Legs

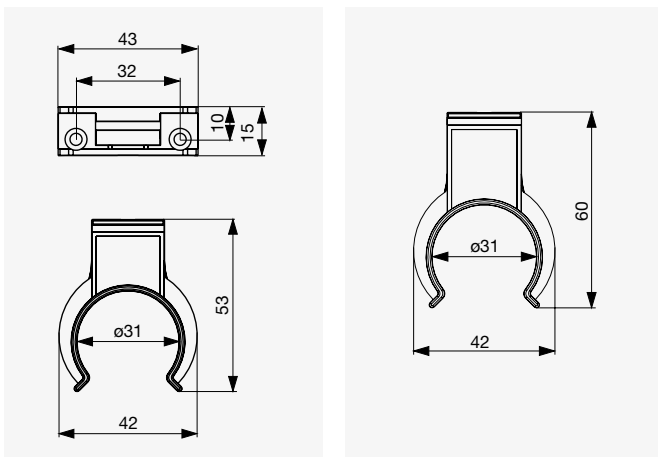


- Composed of 3 parts
- 4 heights
- Robust design
- Loading capacity 250 kg per piece
- Possible to adjust from inside of the cabinet



Height H [mm]	Code	Height adjustment [mm]
60	F000339	-10 / +15
100	F000341	-15 / +25
120	F000342	-25 / +25
150	F000343	-25 / +45

⊕ Riex GK50 Clip for Kitchen Legs



⊕ F000344

⊕ F002927

Clip type	Code
For screw	F000344
For plastic plinth	F002927

05

● Fennel Samson Kitchen Legs

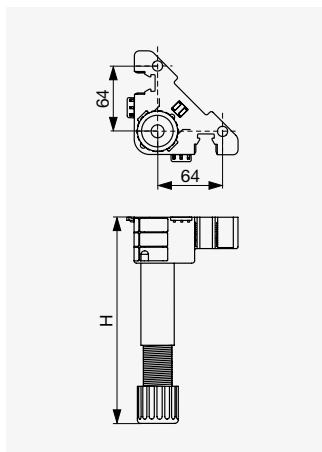


① Screw-on

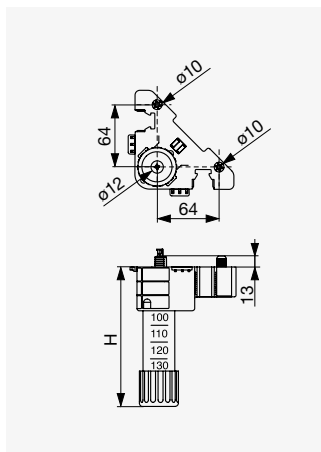


① With dowels

- Folding construction – easy transport and manipulation with cabinet
- 2 heights
- 2 types of connection
 - For screws
 - Quick mount with dowel 2x ø8 mm and 1x ø10 mm
- Robust design
- Loading capacity 350 kg per piece



① F005027, F005028



① F005029, F005030

Connection type	Height H [mm]	Code	Height adjustment [mm]
Screw-on	100	F005027	-10 / +65
	150	F005028	-10 / +60
With dowels	100	F005029	-10 / +65
	150	F005030	-10 / +60

● Fennel Samson Accessories

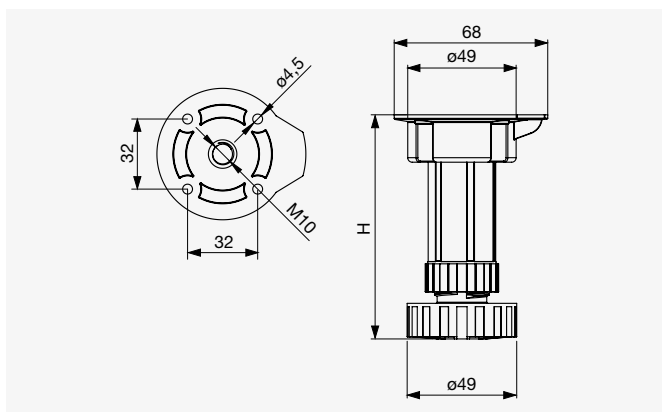


Clip type	Code
Rapid	F005031
Self adhesive	F005032

⊕ Riex GK40 Kitchen Legs



- Composed of 3 parts
- 4 heights
- Slim construction with high capacity 200 kg



Height H [mm]	Code	Height adjustment [mm]
80	F002793	
100	F002794	
120	F002795	-5/+15
150	F002796	

⊕ Riex GK40 Accessories for Kitchen Legs



⊕ F002798



⊕ F002797



⊕ F003099



⊕ F003100

Type of accessories	Code
Clip for screw	F002798
Clip for plastic plinth	F002797
Cover cup white	F003099
Bolt metal M10 × 35*	F003100

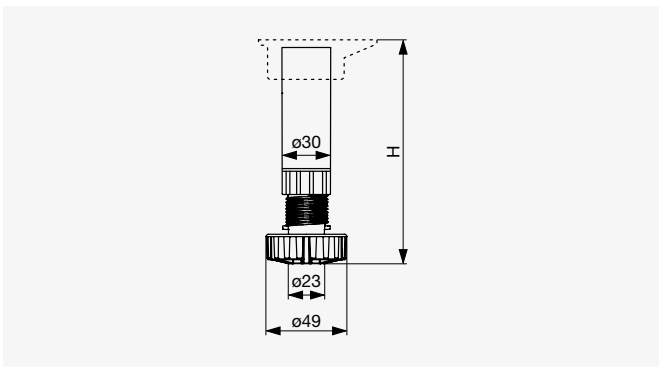
* Possible to use to desk up to 25 mm of thickness.

⊕ Riex GK33 Kitchen Legs - Tube



- For combination with bases GK33
- Whole assembly makes 3 part leg
- 4 heights
- Loading capacity 200 kg

⊕ F005499, F005500, F005501, F005502



Height H [mm]	Code	Height adjustment [mm]
85	F005499	
100	F005500	
120	F005501	-5 / +15
150	F005502	

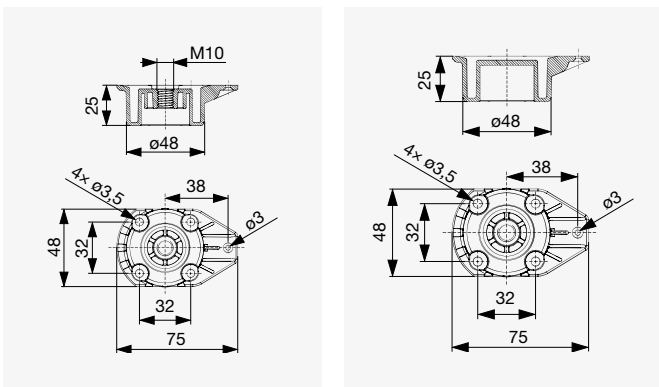
⊕ Riex GK33 Kitchen Legs - Base



- To combine with tubes GK33

⊕ F005503

⊕ F005504



⊕ F005503

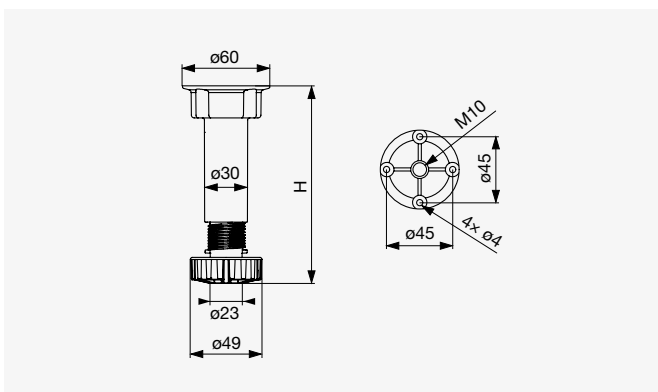
⊕ F005504

Base type	Code
With internal M10 thread	F005503
Flat	F005504

⊕ Riex GK30 Kitchen Legs



- Composed of 2 parts
- 3 heights
- Common design with high load capacity 200 kg



Height H [mm]	Code	Height adjustment [mm]
100	F000932	
120	F000933	-5 / +15
150	F000934	

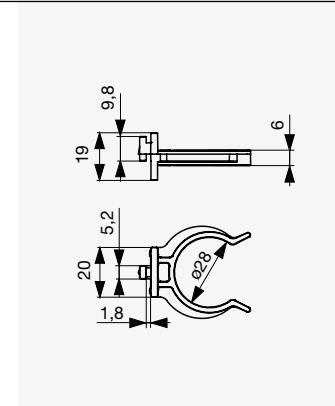
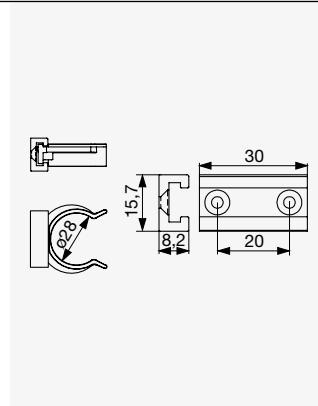
⊕ Riex GK30 / 33 Accessories for Kitchen Leg



⊕ F000938



⊕ F000937



⊕ F004621

Type of accessories	Code
For screw	F000938
For plastic plinth	F000937
Bolt M10 × 38*	F004521

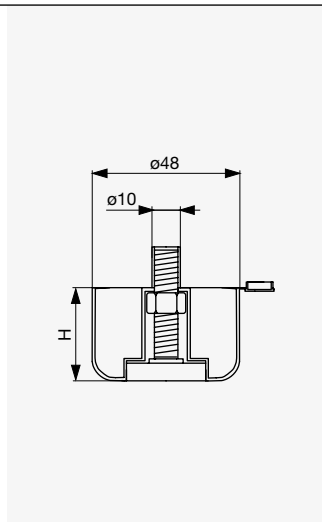
* Possible to use to desk up to 25 mm of thickness.

Adjustable Furniture Legs and Glides

05

- Hidden or visible solution
- Ideal for different type of furniture

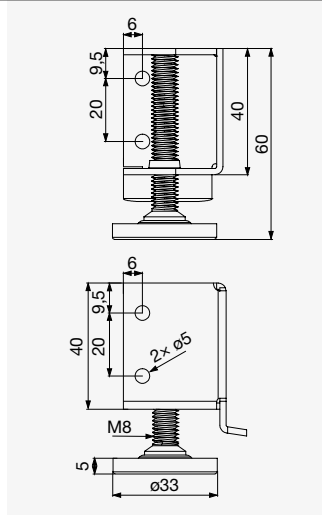
➤ Riex GL13 Adjustable Legs



- 3 different heights
- Comes with screw cover attached

Height H [mm]	Code	Height adjustment [mm]
17	F002003	+11
27	F002004	+21
44	F002005	+28

➤ Riex GA40 Adjustable Leg

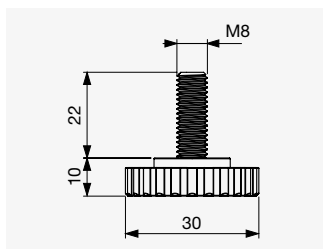
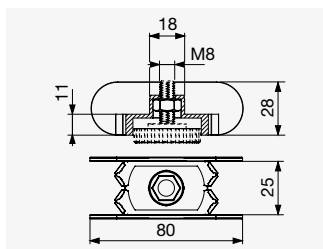


Height [mm]	Code	Height adjustment [mm]
60	F003043	+25

⊕ Riex GA20 Adjustable Leg for Edge



- For side panel 25 mm



⊙ F002837

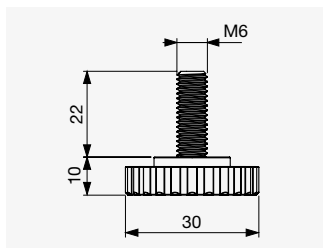
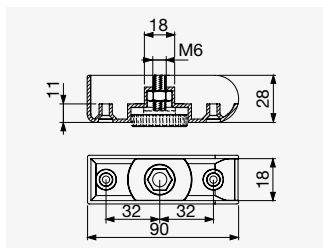
⊙ F002836

Type	Code	Height adjustment [mm]
Adapter for edge 25 mm	F002837	15
Screw M8 × 22 mm	F002836	

⊕ Riex GA18 Adjustable Leg for Corner



- For side panel 18 mm



⊙ F002833

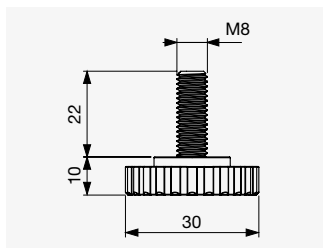
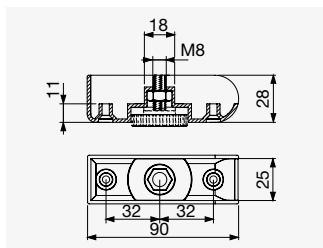
⊙ F002834

Type	Code	Height adjustment [mm]
Adapter for 18 mm	F002833	+10
Screw M6 × 22 mm	F002834	

⊕ Riex GA25 Adjustable Leg for Corner



- For side panel 25 mm

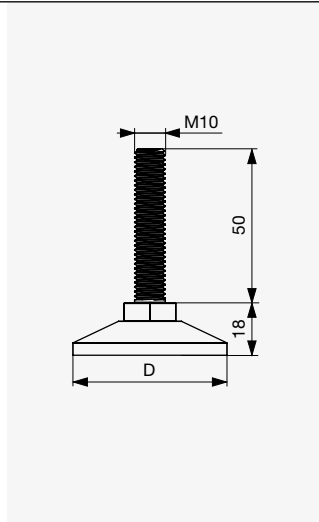


⊙ F002835

⊙ F002836

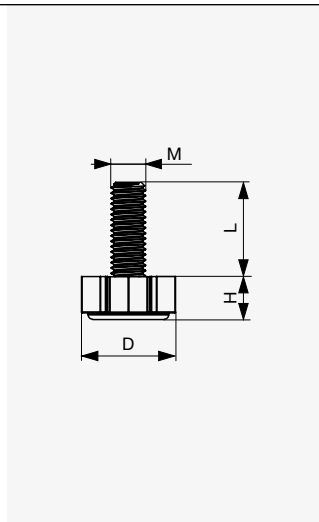
Type	Code	Height adjustment [mm]
Adapter for 25 mm	F002835	+15
Screw M8 × 22	F002836	

⊕ Riex GA11 Adjustable Screw Leg



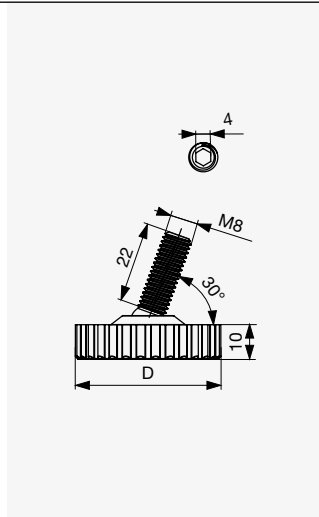
øD [mm]	Screw [mm]	Code	Connection of glide
30	M10 × 50	F003561	Fix
50		F003562	

⊕ Riex GA12 Adjustable Screw Leg



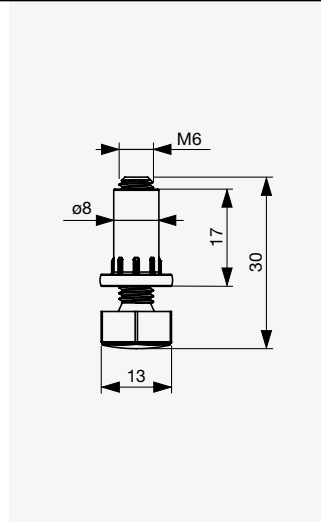
øD [mm]	Screw [mm]	Code	H [mm]	Connection of glide
17	M6 × 22	F003564	8,5	Fix
22	M8 × 22	F003565	10	
	M10 × 28	F003566		

⊕ Riex GA13 Adjustable Screw Leg



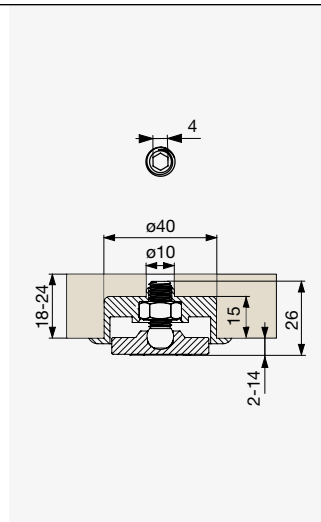
øD [mm]	Screw [mm]	Code	Connection of glide
25	M8 × 22	F003567	Tilt
30		F003568	

⊕ Riex GA10 Adjustable Leg



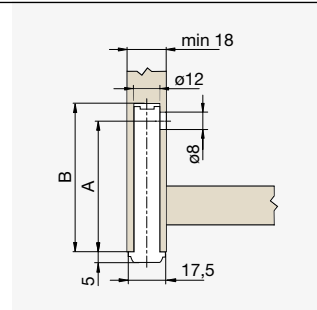
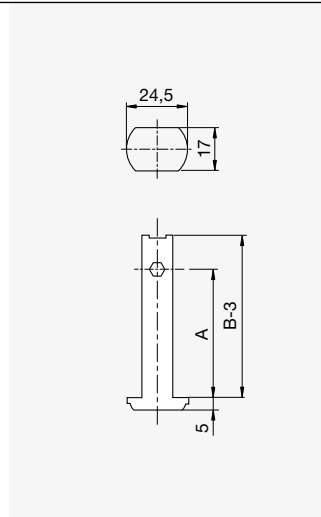
Screw [mm]	Code	Drilling [mm]	Height adjustment [mm]
M6 × 30	F002832	D8 × 30	+15

⊕ Riex GA24 Adjustable Leg



∅D [mm]	Code	Height [mm]	Height adjustment [mm]	Loading capacity [kg]
40	F003563	22	+12	150

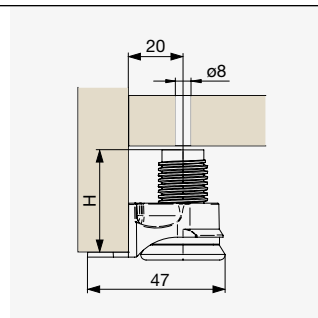
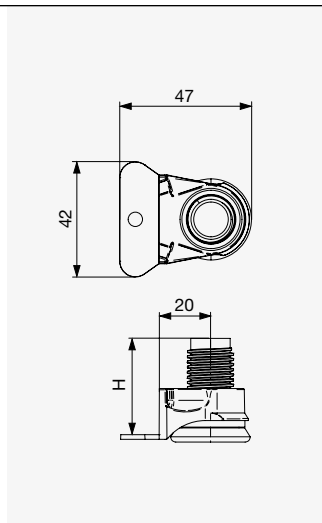
● IF Rekord Leveller



A [mm]	Code	B [mm]	Height adjustment [mm]	Loading capacity [kg]
52	F002722	65		
70	F002723	83	+12	150
96	F002724	109		

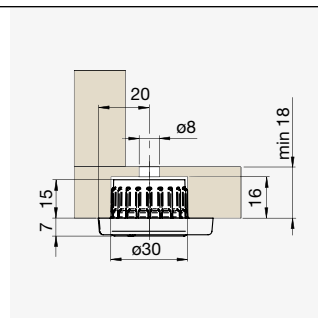
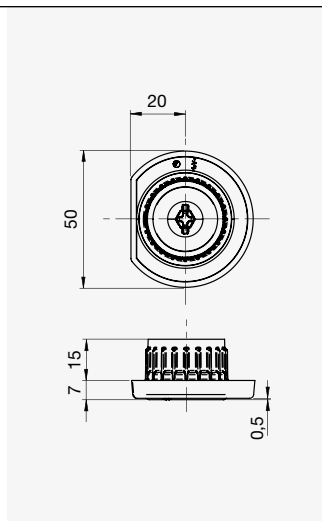
05

● IF Integrato G Leveller



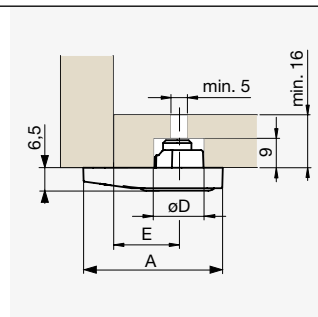
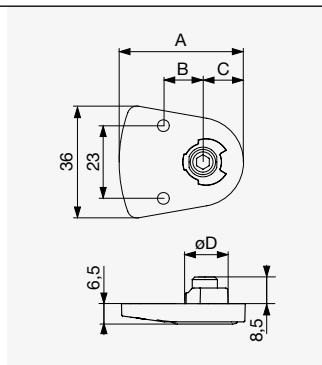
Height H [mm]	Code	Height adjustment [mm]	Loading capacity [kg]
19	F002725	+12	175
37,5	F002726	+25	

● IF Integrato Z



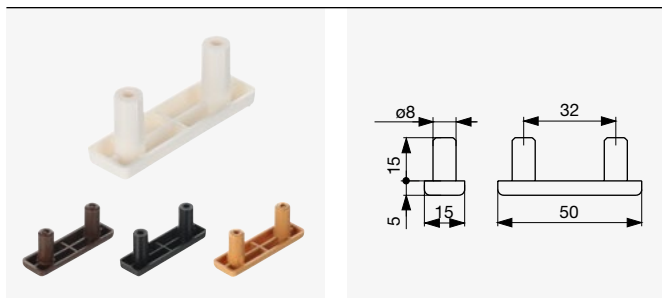
Diameter [mm]	Code	Height adjustment [mm]	Loading capacity [kg]
50	F002727	+10	175

● IF Flat Leveller



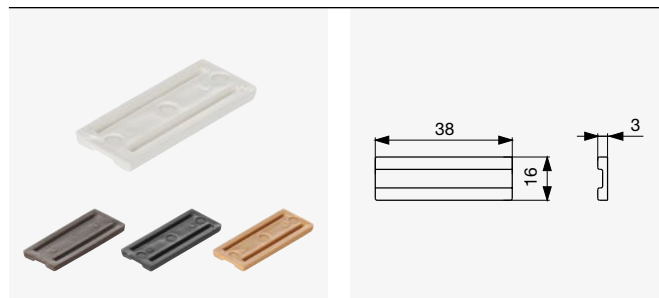
Length A [mm]	Code	Height adjustment [mm]	Loading capacity [kg]	B [mm]	C [mm]	D [mm]	E [mm]
48	F002728	+10	150	20	13	12	28
40	F002729			12,5	12	15	20

⊕ Riex GL10 Glide with Dowels



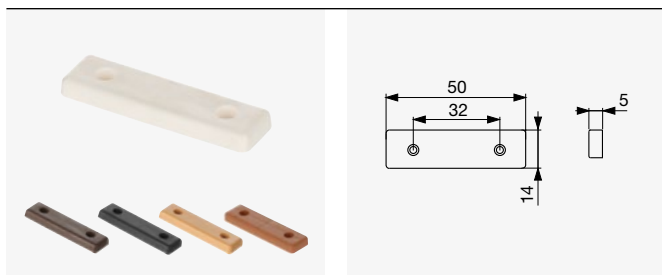
Colour	Code
White	F002953
Brown	F002954
Black	F002955
Beech	F002956

⊕ Riex GL12 Glide Nail-In



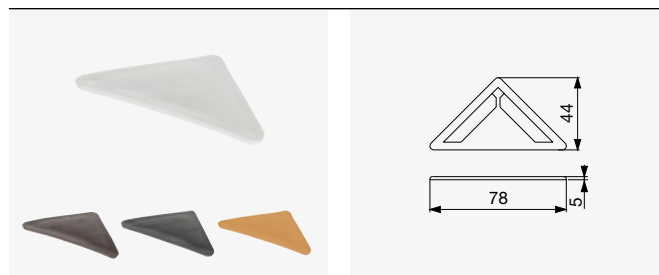
Colour	Code
White	F002957
Brown	F002958
Black	F002959
Beech	F002960

⊕ Riex GL14 Glide for Screw



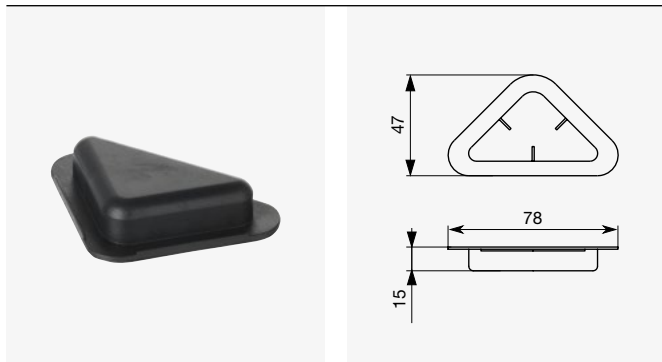
Colour	Code
White	F002961
Brown	F002962
Black	F002963
Beech	F002964
Alder	F002965

⊕ Riex GL15 Glide Nail-In



Colour	Code
White	F002980
Brown	F002981
Black	F002982
Beech	F002983

⊕ Riex GL16 Glide Nail-In



Height [mm]	Colour	Code
15	Black	F002984

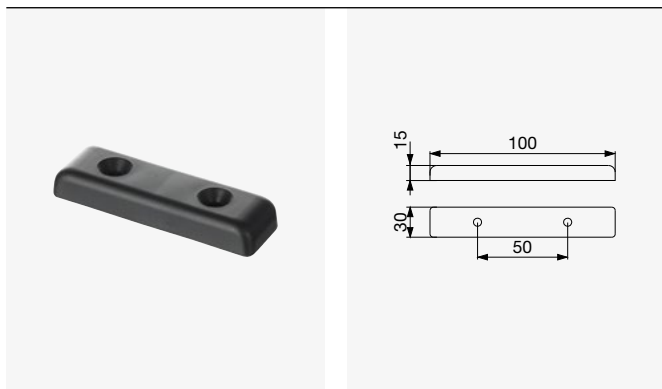
⊕ Riex GL21 Glide for Screw



Height [mm]	Colour	Code
20	Black	F002989
35	Black	F002991

05

⊕ Riex GL24 Glide for Screw



Height [mm]	Colour	Code
15	Black	F002992

⊕ Riex GL26 Glide with Dowel



Height [mm]	Colour	Diameter [mm]	Code
5	Black	40	F002993

⊕ Riex GL23 Glide with Dowel



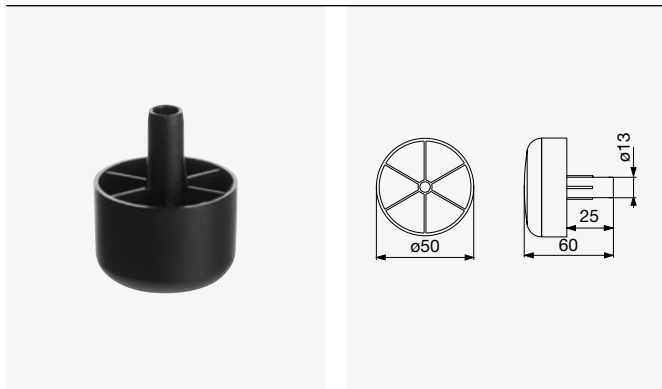
Height [mm]	Colour	Code
20	Black	F002994

⊕ Riex GL18 Glide with Dowel H15



Height [mm]	Colour	Code
15	Black	F002996

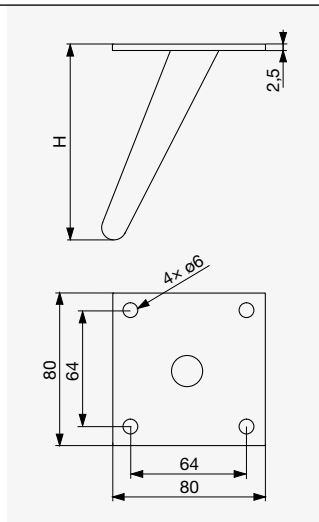
⊕ Riex GL18 Glide with Dowel H35



Height [mm]	Colour	Code
35	Black	F002998

Furniture legs

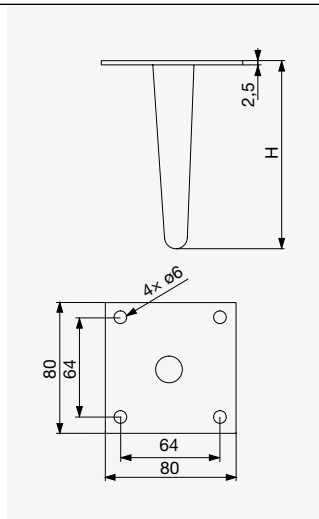
⊕ Riex GS52 Furniture Leg



- Plate thickness 2,5 mm

Height H [mm]	Black	Height adjustment [mm]
130	F002858	
170	F002859	×
210	F001990	

⊕ Riex GS53 Furniture Leg

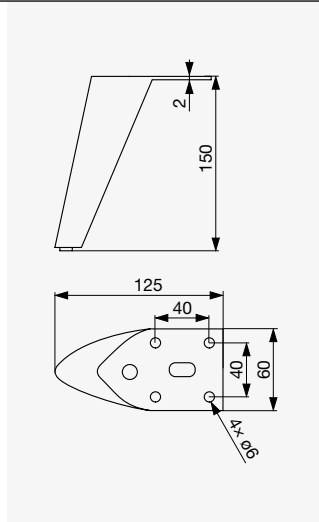


- Plate thickness 2,5 mm

Height H [mm]	Black	Height adjustment [mm]
130	F002860	
170	F002861	×

05

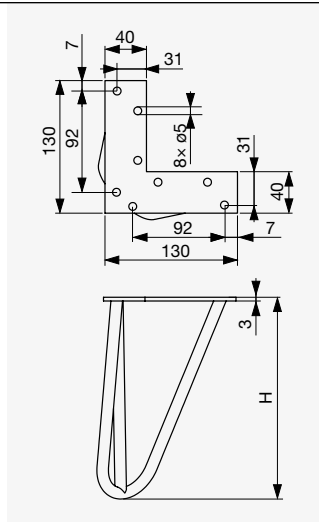
⊕ Riex GS49 Furniture Leg



- Plate thickness 2 mm

Height H [mm]	Black	Height adjustment [mm]
150	F003048	x

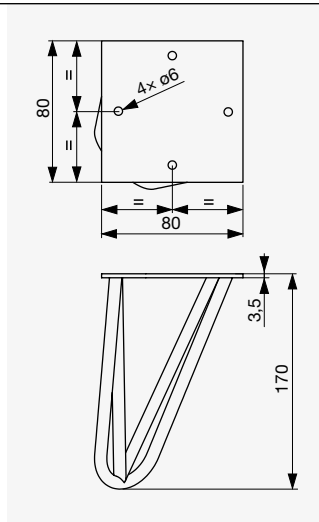
⊕ Riex GS43 Furniture Leg



- ∅10 mm welded steel wire
- 3 mm mounting plate

Height H [mm]	Black	Height adjustment [mm]
130	F002845	
400	F002846	+2,5
710	F002847	

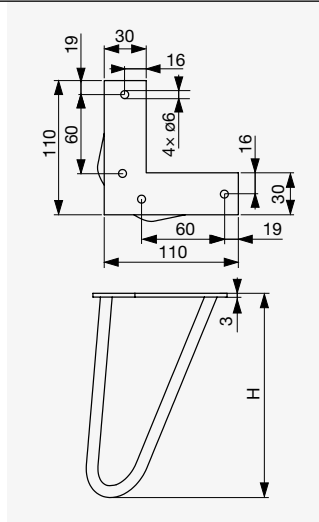
⊕ Riex GS44 Furniture Leg



- ∅10 mm welded steel wire
- 3 mm mounting plate

Height H [mm]	Black	Height adjustment [mm]
170	F002849	+2,5

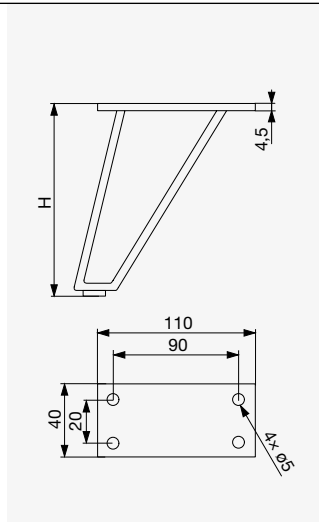
⊕ Riex GS42 Furniture Leg



- ø10 mm welded steel wire
- 3 mm mounting plate

Height H [mm]	Black	Height adjustment [mm]
130	F002850	
400	F002851	x
710	F002852	

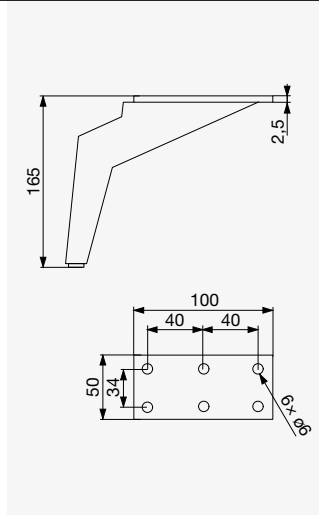
⊕ Riex GS46 Furniture Leg



- Plate profile 40 x 4,5 mm

Height H [mm]	Black	Height adjustment [mm]
130	F002853	
170	F002854	x

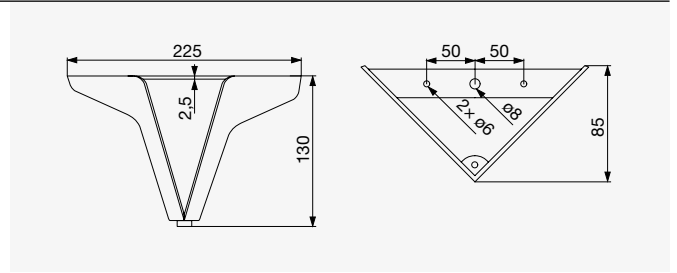
⊕ Riex GS48 Furniture Leg



- Plate profile thickness 2,5 mm

Height [mm]	Black	Height adjustment [mm]
165	F002857	+2,5

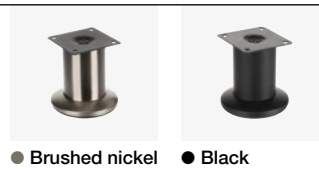
⊕ Riex GS47 Furniture Leg



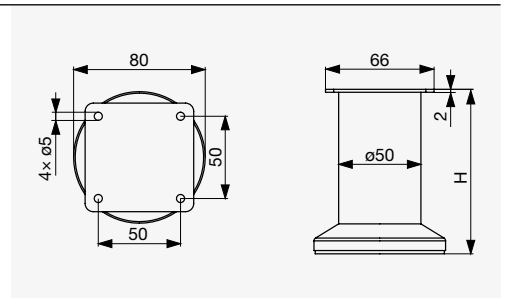
- Sheet metal thickness 2,5 mm

Height [mm]	Black	Height adjustment [mm]
130	F002862	x

⊕ Riex GS36 Furniture Leg



- Brushed nickel
- Black



- Tube wall thickness 1 mm
- Plate thickness 2 mm

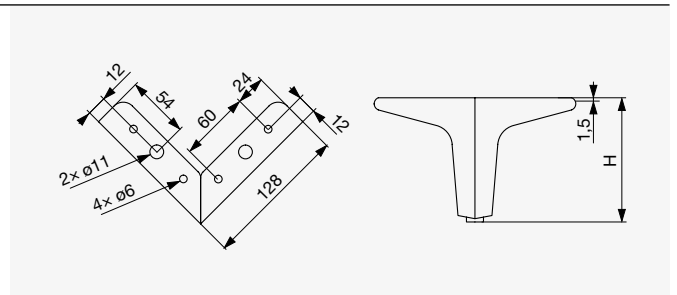
- Chrome

Height H [mm]	Chrome	Brushed nickel	Black	Height adjustment [mm]
80	F001966	F001971	F001976	+7
100	F001967	F001972	F001977	
120	F001968	F001973	F001978	
150	F001969	F001974	F001979	
200	F001970	F001975	F001980	

⊕ Riex GS32 Furniture Leg



- Black

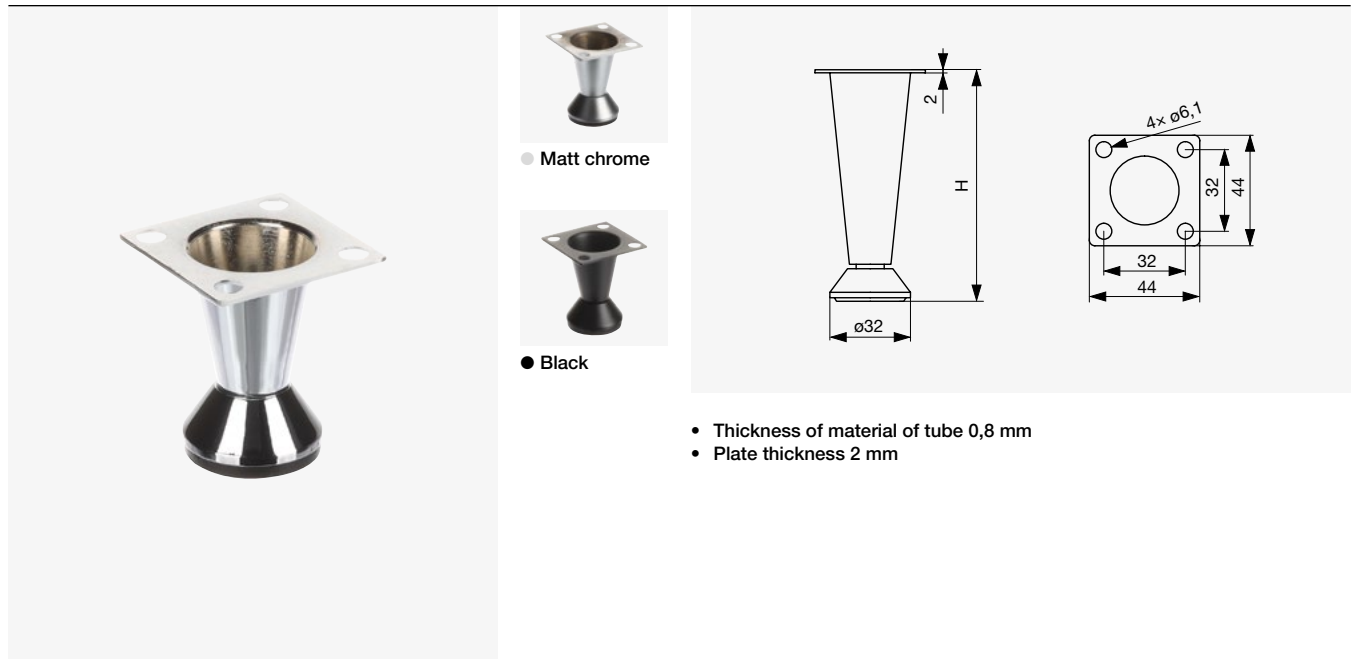


- Sheet metal thickness 1,5 mm

- Chrome

Height H [mm]	Chrome	Black	Height adjustment [mm]
120	F001981	F001983	x

⊕ Riex GS25 Furniture Leg



● Matt chrome

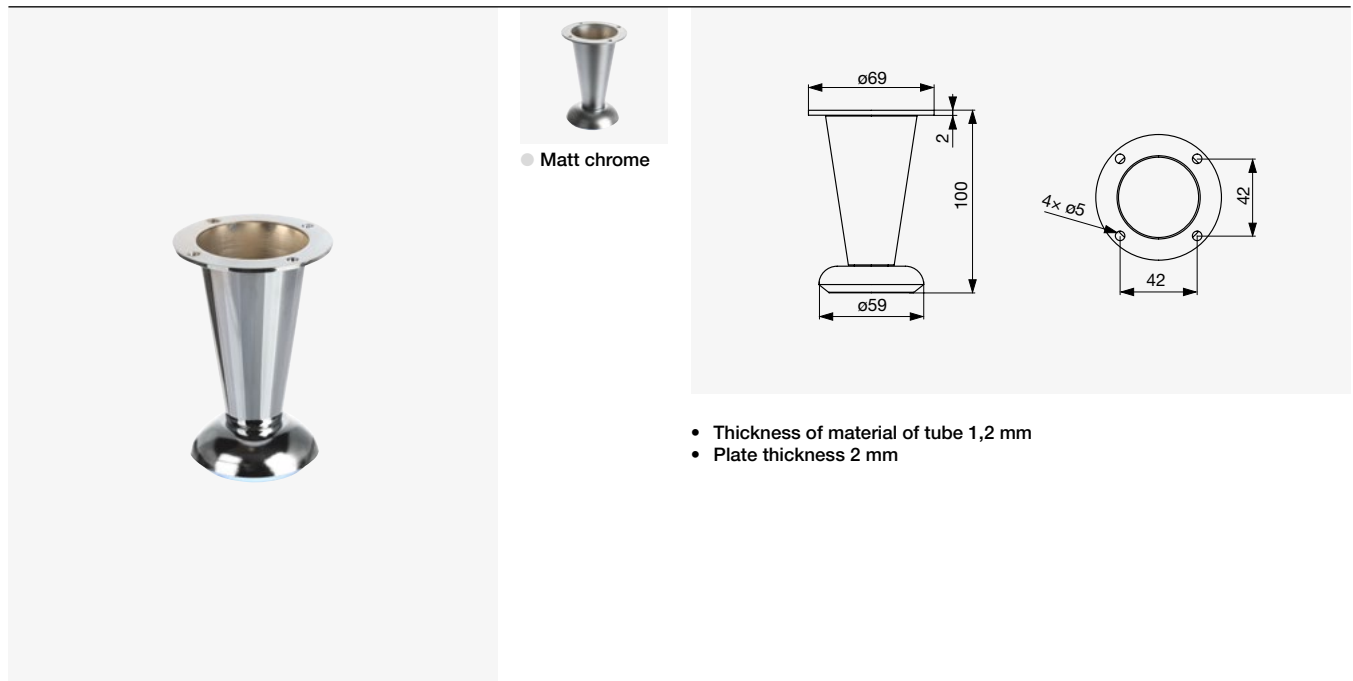
● Black

- Thickness of material of tube 0,8 mm
- Plate thickness 2 mm

● Chrome

Height H [mm]	Chrome	Matt chrome	Black	Height adjustment [mm]
50	F001939	F001940	F001941	+7
80	F001942	F001943	F001944	

⊕ Riex GS15 Furniture Leg



● Matt chrome


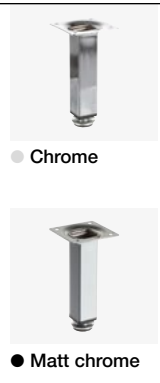
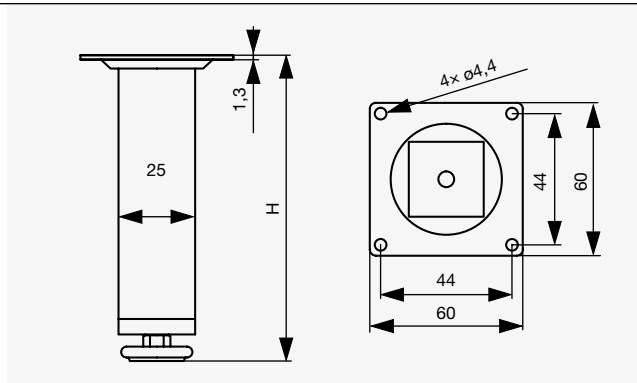
- Thickness of material of tube 1,2 mm
- Plate thickness 2 mm

● Chrome

Height H [mm]	Chrome	Matt chrome	Height adjustment [mm]
100	F001937	F001938	+7

05

⊕ Riex GS26 Furniture Leg


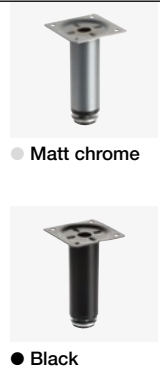
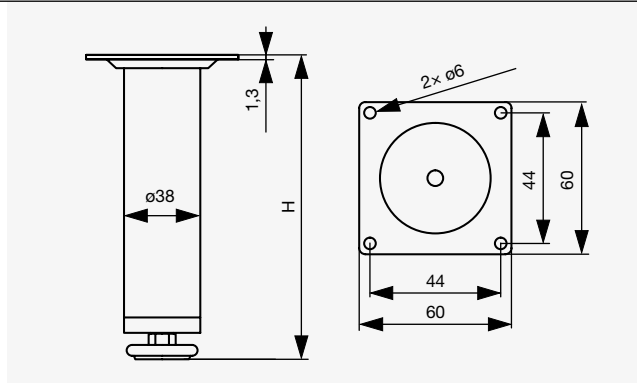




- Chrome
- Matt chrome
- Black

- Angular profile 25 x 25 mm
- Material thickness of profile 0,7 mm
- Plate thickness 1,3 mm

Height H [mm]	Chrome	Matt chrome	Black	Height adjustment [mm]
100	F001945	F001946	F003050	
120	F001947	F001948	F003051	+7
150	F001949	F001950	F003052	

⊕ Riex GS23 Furniture Leg

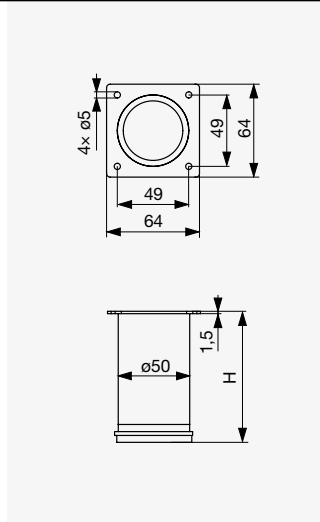




- Matt chrome
- Black
- Chrome

- Round profile ø38 mm
- Tube wall thickness 0,8 mm
- Plate thickness 1,3 mm

Height H [mm]	Chrome	Matt chrome	Black	Height adjustment [mm]
100	F001951	F001952	F003053	
120	F001953	F001954	F003054	+7
150	F001955	F001956	F003055	

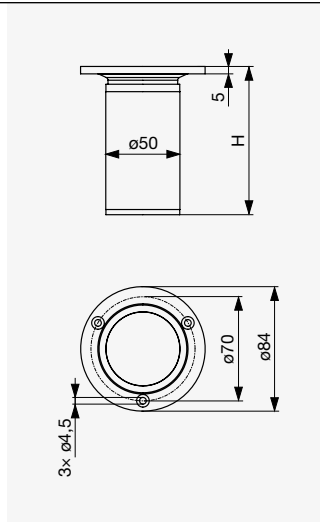
⊕ Riex GS28 Furniture Leg



- Round profile $\phi 50$ mm
- Tube wall thickness 0,6 mm
- Plate thickness 1,5 mm

Height H [mm]	Stainless steel imitation	Height adjustment [mm]
100	F001957	
120	F001958	+10
150	F001959	

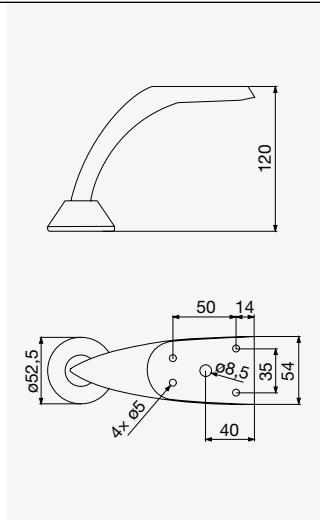
⊕ Riex GS29 Furniture Leg



- Round profile $\phi 50$ mm
- Tube wall thickness 0,6 mm
- Thickness of plate [plastic] 5 mm

Height H [mm]	Matt chrome	Height adjustment [mm]
100	F001963	
120	F001964	+25
150	F001965	

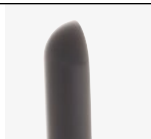
⊕ Riex GS13 Furniture Leg



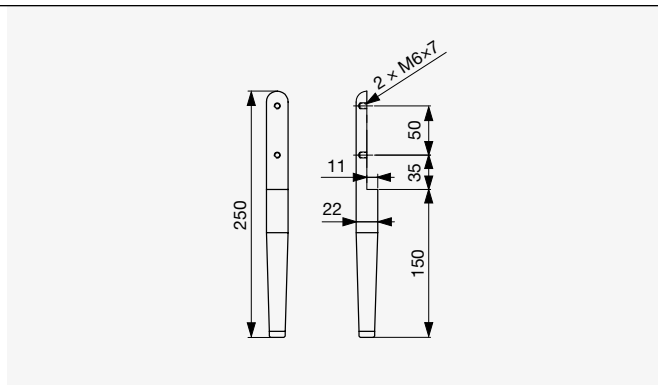
Height [mm]	Chrome	Height adjustment [mm]
120	F001895	x

05

⊕ Riex GA78 Furniture Leg



● Matt black



• Solid aluminium

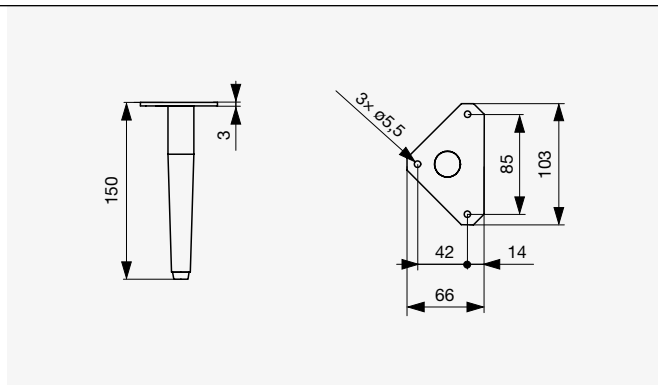
● Brushed gold

Height H [mm]	Brushed gold	Matt black	Height adjustment [mm]
150	F003059	F003060	+5

⊕ Riex GA77 Furniture Leg



● Matt black

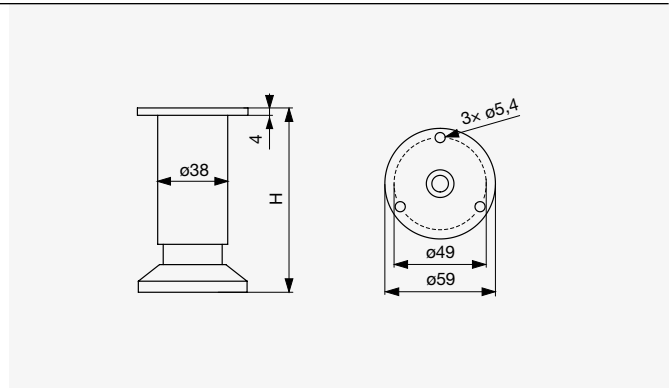


• Solid aluminium
• Plate thickness 3 mm

● Brushed gold

Height H [mm]	Brushed gold	Matt black	Height adjustment [mm]
150	F003057	F003058	+5

⊕ Riex GA88 Furniture Leg



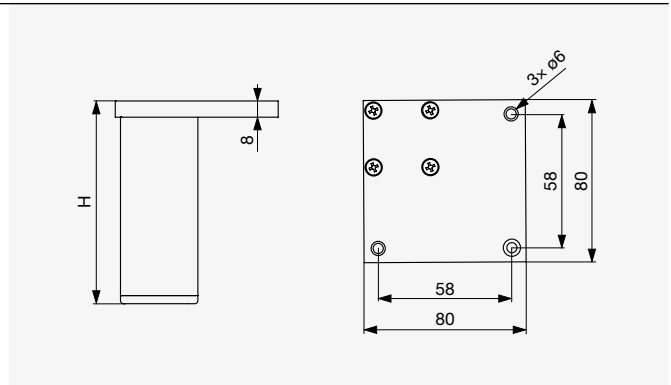
- Round profile $\varnothing 38$ mm
- Tube wall thickness 1 mm
- Plate thickness 4 mm

Height H [mm]	Brushed nickel	Height adjustment [mm]
80	F001902	
100	F001903	
120	F001904	+15
150	F001905	

⊕ Riex GA68 Furniture Leg



● Matt black



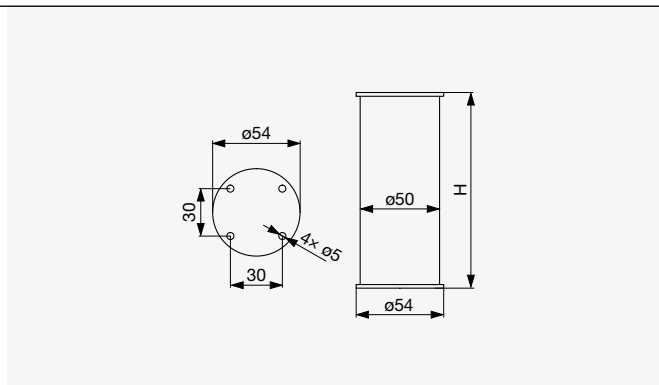
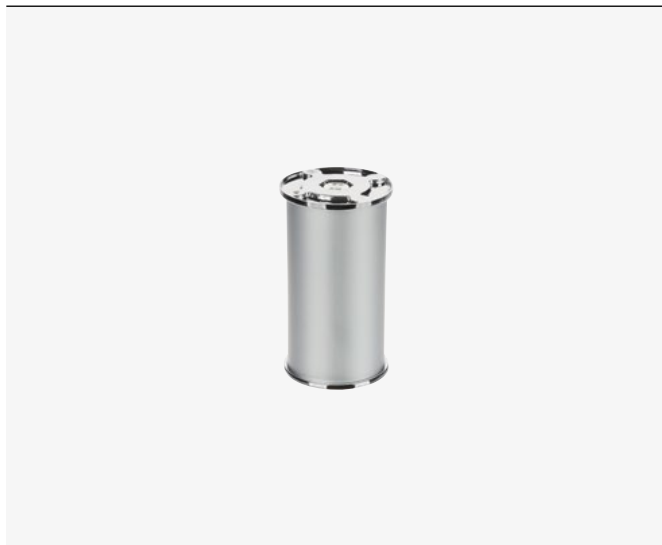
- Angular profile 38 × 38 mm
- Material thickness of profile 1 mm
- Plate thickness 8 mm

● Anodised aluminium

Height H [mm]	Anodised aluminium	Matt black	Height adjustment [mm]
80	F001909	F001910	
100	F001911	F001912	
120	F001913	F001914	
150	F001915	F001916	*
200	F001917	F001918	

05

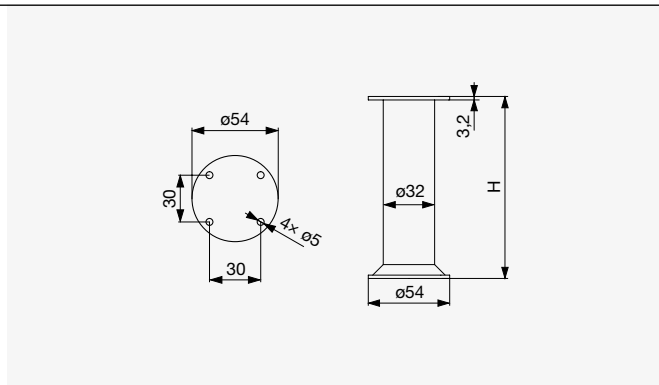
⊕ Riex GA60 Furniture Leg



- Round profile $\varnothing 50$ mm
- Tube wall thickness 0,8 mm

Height H [mm]	Anodised aluminium	Height adjustment [mm]
100	F001896	
120	F001897	+7
150	F001898	

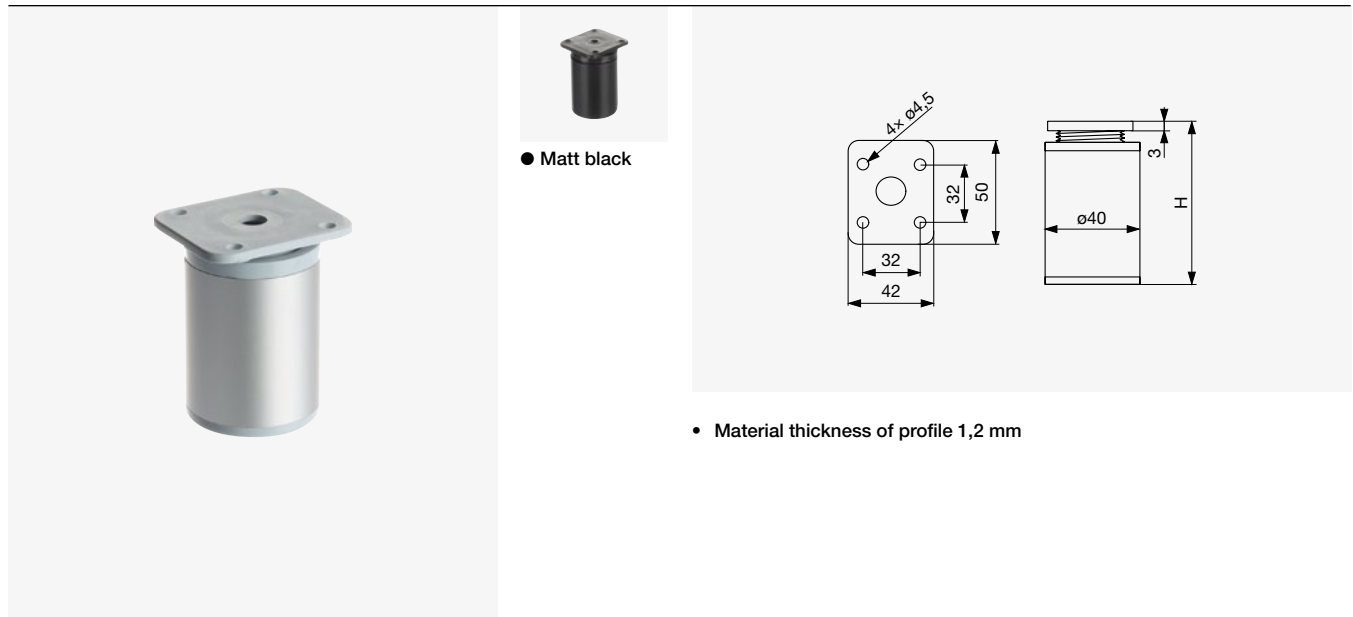
⊕ Riex GA63 Furniture Leg



- Round profile $\varnothing 32$ mm
- Tube wall thickness 0,8 mm

Height H [mm]	Anodised aluminium	Height adjustment [mm]
100	F001899	
120	F001900	+15
150	F001901	

⊕ Riex GA34 Furniture Leg $\varnothing 40$ mm



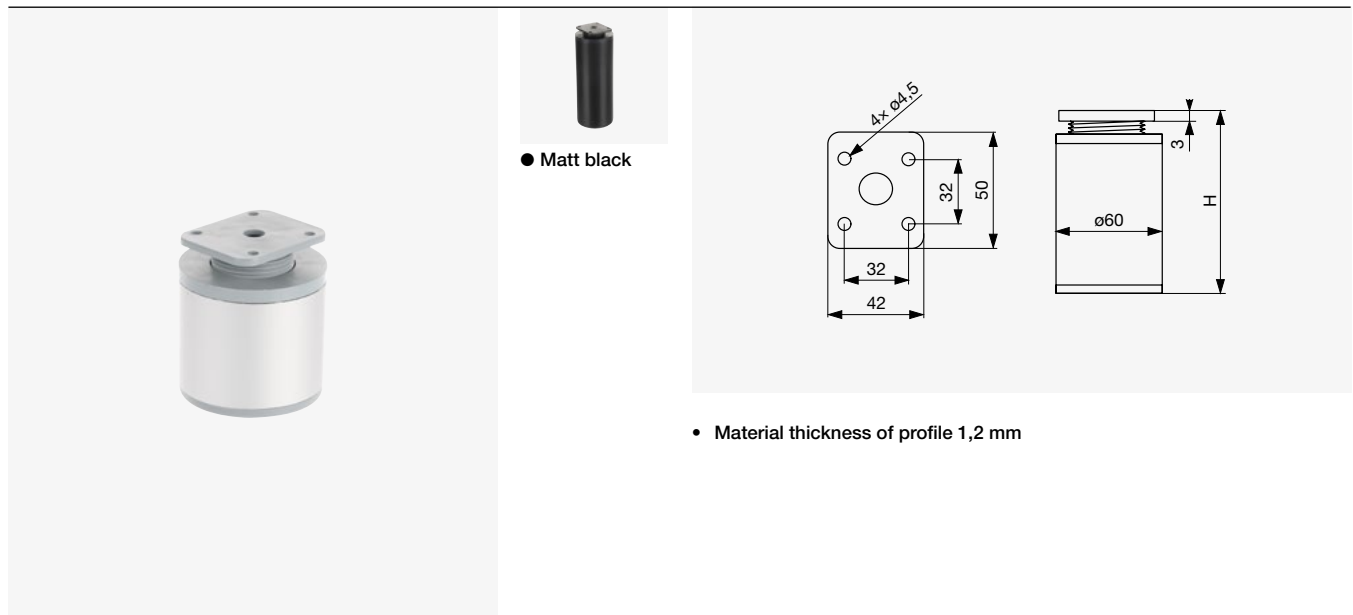
● Matt black

● Anodised aluminium

• Material thickness of profile 1,2 mm

Height H [mm]	Anodised aluminium	Matt black	Height adjustment [mm]
60	F002872	F002874	
100	F002873	F002875	+15
150	F003027	F003028	

⊕ Riex GA33 Furniture Leg $\varnothing 60$ mm



● Matt black

● Anodised aluminium

• Material thickness of profile 1,2 mm

Height H [mm]	Anodised aluminium	Matt black	Height adjustment [mm]
60	F002876	F002878	
100	F002877	F002879	+15
150	F003029	F003030	

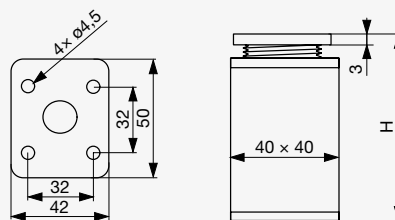
⊕ Riex GA35 Furniture Leg 40 × 40 mm



● Brushed nickel



● Matt black



• Material thickness of profile 1,2 mm

● Anodised aluminium

Height H [mm]	Anodised aluminium	Brushed nickel	Matt black	Height adjustment [mm]
60	F002880	F002883	F002885	
100	F002881	F002884	F002886	+15
150	F002882	F003023	F003024	

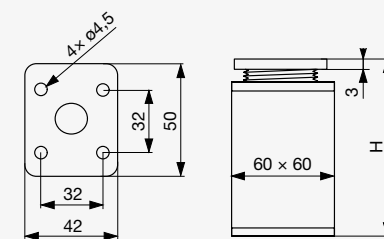
⊕ Riex GA36 Furniture Leg 60 × 60 mm



● Brushed nickel



● Matt black



• Material thickness of profile 1,2 mm

● Anodised aluminium

Height H [mm]	Anodised aluminium	Brushed nickel	Matt black	Height adjustment [mm]
60	F002887	F002889	F002891	
100	F002888	F002890	F002892	+15
150	F003025	F003026	×	

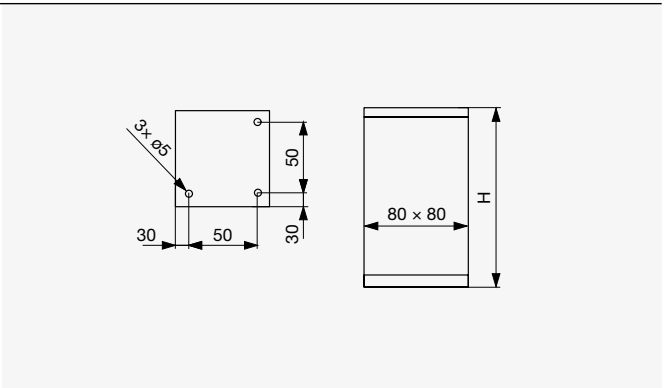
⊕ Riex GA38 Furniture Leg 80 × 80 mm



● Brushed nickel



● Matt black



• Material thickness of profile 1,2 mm

● Anodised aluminium

Height H [mm]	Anodised aluminium	Brushed nickel	Matt black	Height adjustment [mm]
60	F002893	F002895	F002897	+15
100	F002894	F002896	F002898	

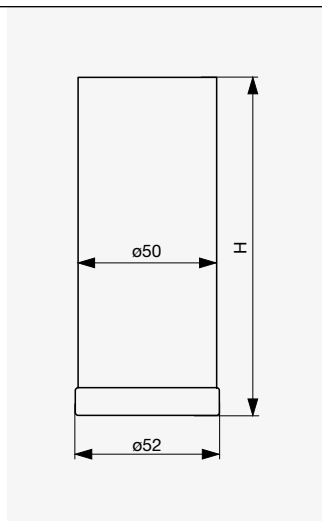
05

Plastic Furniture Legs

05

- Simple and stable legs
- Different heights and designs

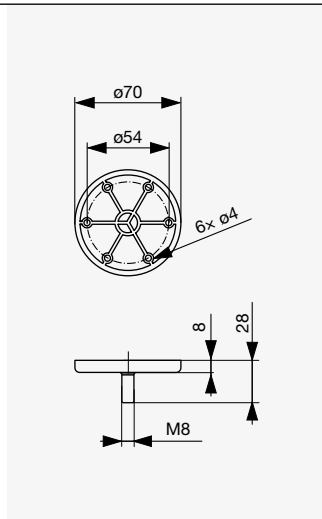
➤ Riex GR70 Furniture Leg



- 3 different heights
- Loading capacity 500 kg

Height H [mm]	Silver	Height adjustment [mm]
100	F003589	
150	F003590	+10
200	F003591	

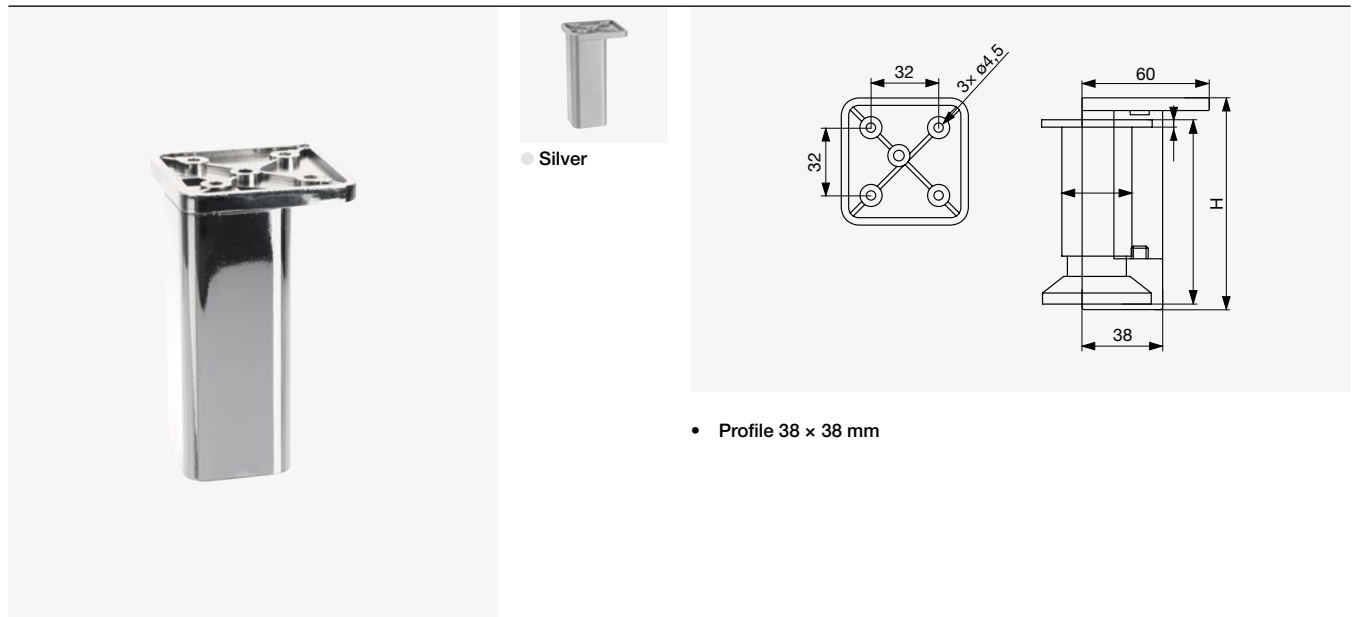
➤ Riex GR70 Connection Plate



- To connect leg type GR70

Colour	Code
Grey	F003592

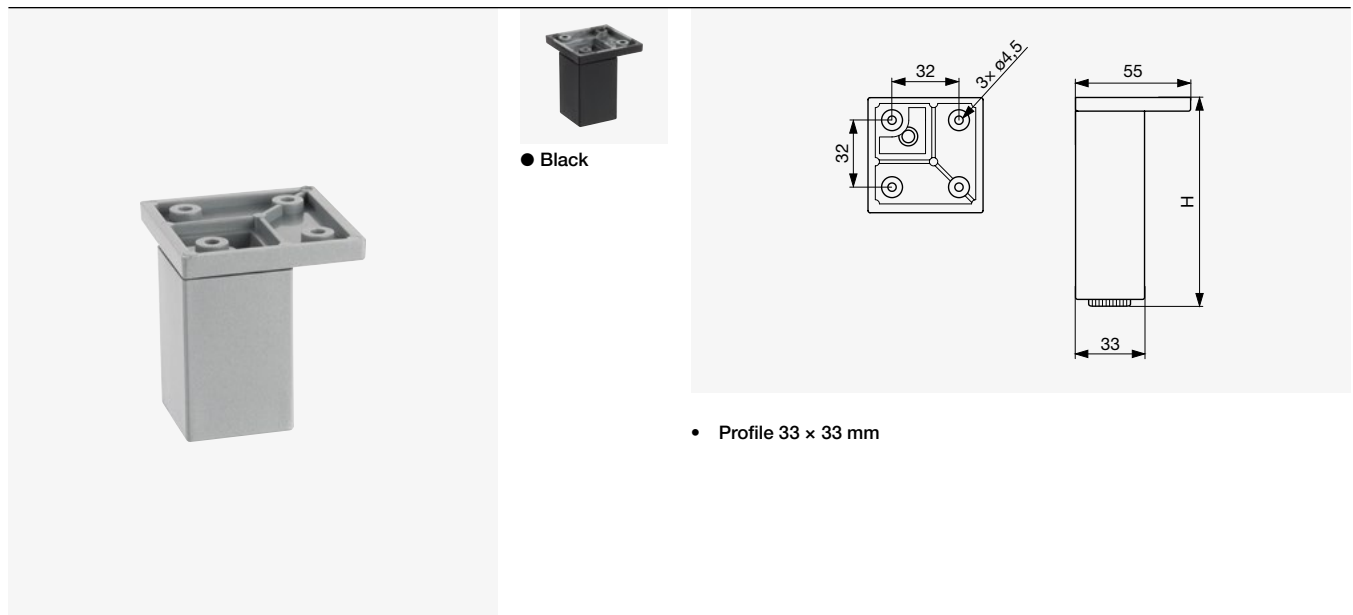
● Riex GR77 Furniture Leg



● Chrome

Height H [mm]	Chrome	Silver	Height adjustment [mm]
100	F003596	F003599	
150	F003597	F003600	+10
180	F003598	F003601	

● Riex GR76 Furniture Leg



● Silver

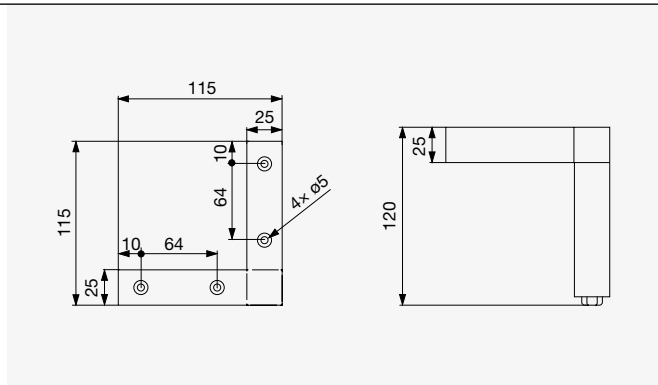
Height H [mm]	Silver	Black	Height adjustment [mm]
60	F003609	F003612	
100	F003607	F003610	+10
150	F003608	F003611	

05

⊕ Riex GR79 Furniture Leg



● Black



• Profile 25 x 25 mm

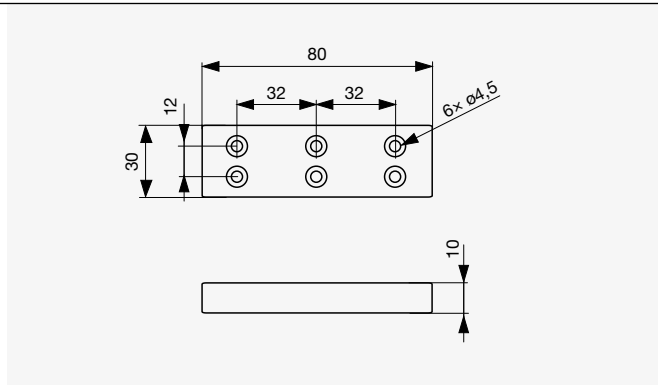
● Silver

Height H [mm]	Silver	Black	Height adjustment [mm]
120	F004310	F004311	+7

⊕ Riex GR75 Furniture Leg



● Black




• Size 80 x 30 x 10 mm


● Silver

Height H [mm]	Silver	Black
10	F003605	F003606

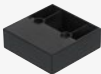
⊕ Riex GR72 Furniture Leg



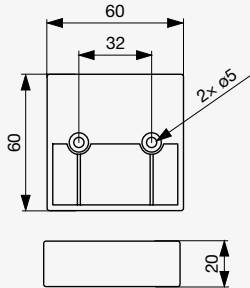
● Silver



● Chrome



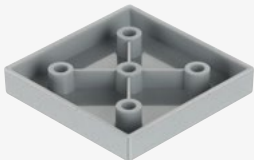
● Black



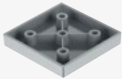
• Size 60 × 60 × 20 mm

Height H [mm]	Chrome	Silver	Black
20	F003595	F003593	F003594

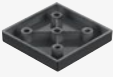
⊕ Riex GR73 Furniture Leg



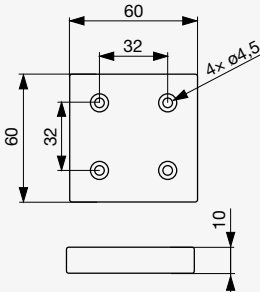
● Silver



● Chrome



● Black

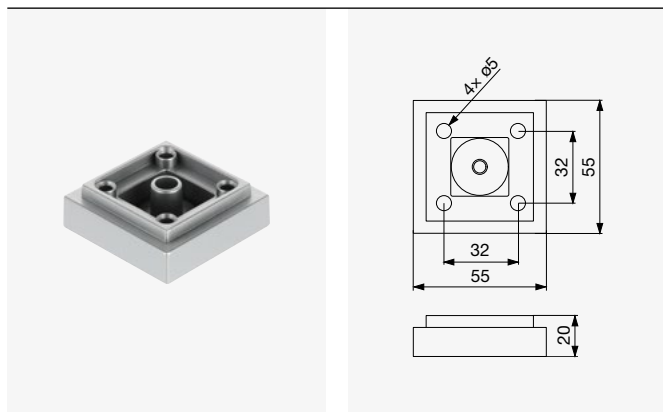


• Size 60 × 60 × 10 mm

Height H [mm]	Chrome	Silver	Black
10	F003603	F003602	F003604

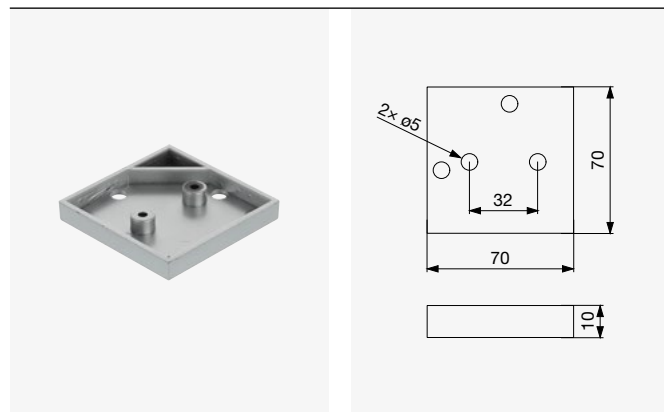
05

⊕ Riex GP20 Furniture Leg



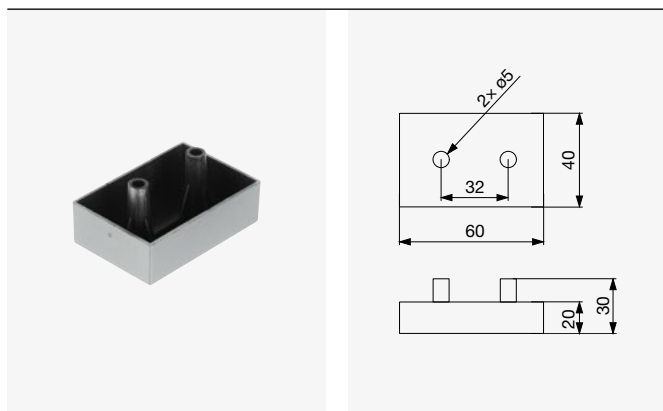
Colour	Height [mm]	Dimension [mm]	Code
Silver	20	55 × 55	F003624

⊕ Riex GP10 Furniture Leg



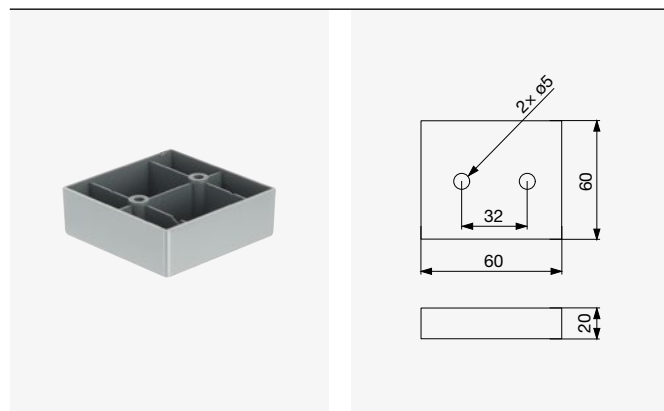
Colour	Height [mm]	Dimension [mm]	Code
Silver	10	70 × 70	F003625

⊕ Riex GP21 Furniture Leg



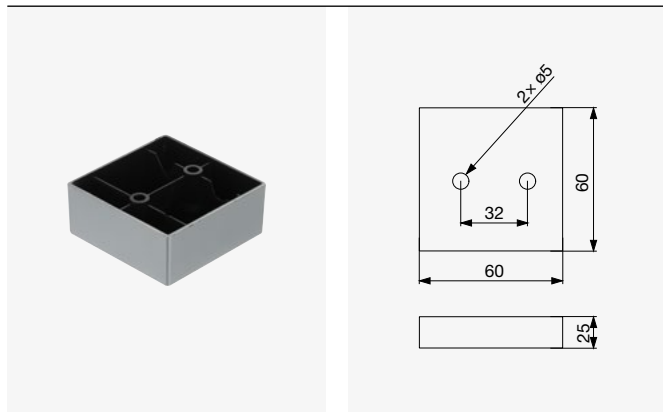
Colour	Height [mm]	Dimension [mm]	Code
Silver	20	60 × 40	F003626

⊕ Riex GP22 Furniture Leg



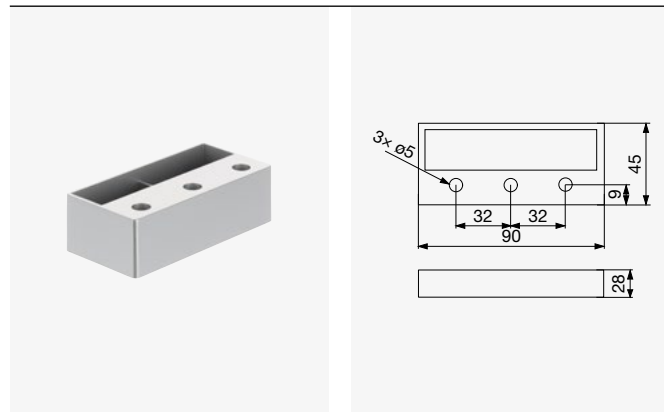
Colour	Height [mm]	Dimension [mm]	Code
Silver	20	60 × 60	F003627

⊕ Riex GP23 Furniture Leg



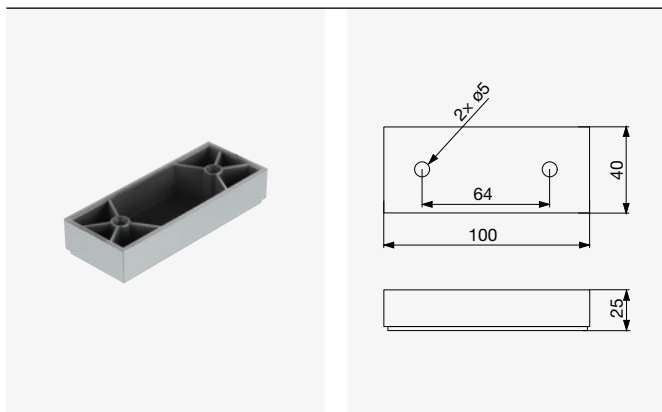
Colour	Height [mm]	Dimension [mm]	Code
Silver	25	60 × 60	F003628

⊕ Riex GP25 Furniture Leg



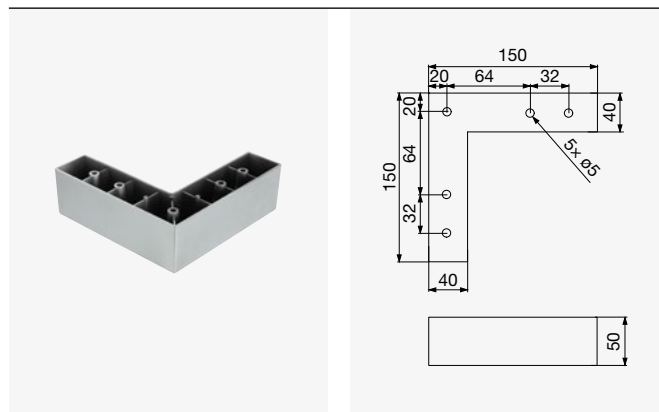
Colour	Height [mm]	Dimension [mm]	Code
Silver	28	90 × 45	F003629

⊕ Riex GP24 Furniture Leg



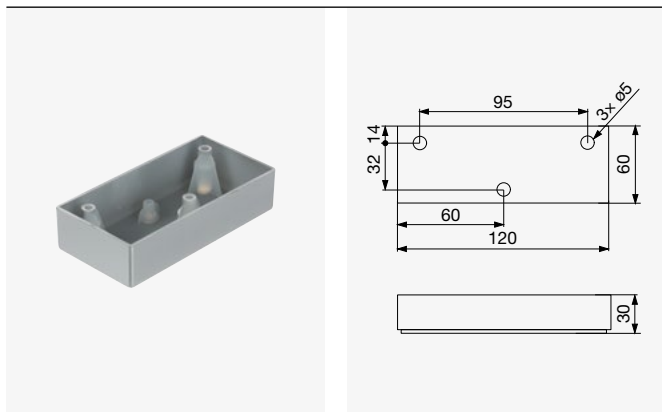
Colour	Height [mm]	Dimension [mm]	Code
Silver	25	100 × 40	F003630

⊕ Riex GP15 Furniture Leg



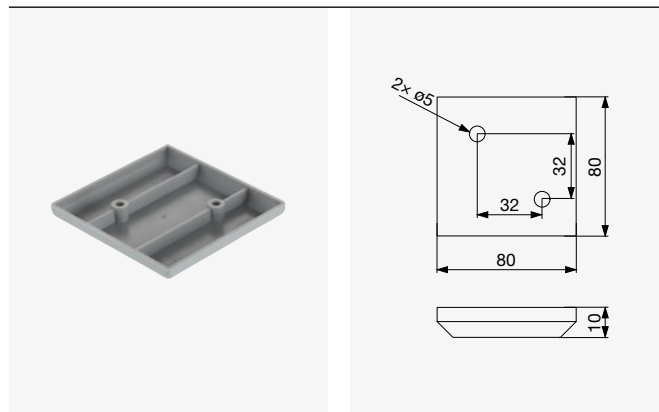
Colour	Height [mm]	Dimension [mm]	Code
Silver	50	150 × 150	F003631

⊕ Riex GP13 Furniture Leg



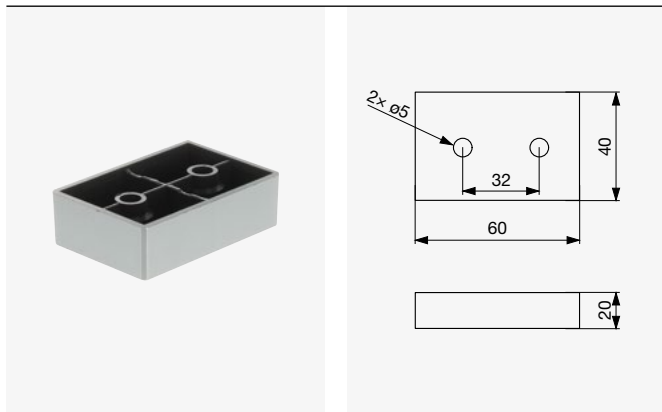
Colour	Height [mm]	Dimension [mm]	Code
Silver	30	120 × 60	F003632

⊕ Riex GP11 Furniture Leg



Colour	Height [mm]	Dimension [mm]	Code
Silver	10	80 × 80	F003633

⊕ Riex GP19 Furniture Leg



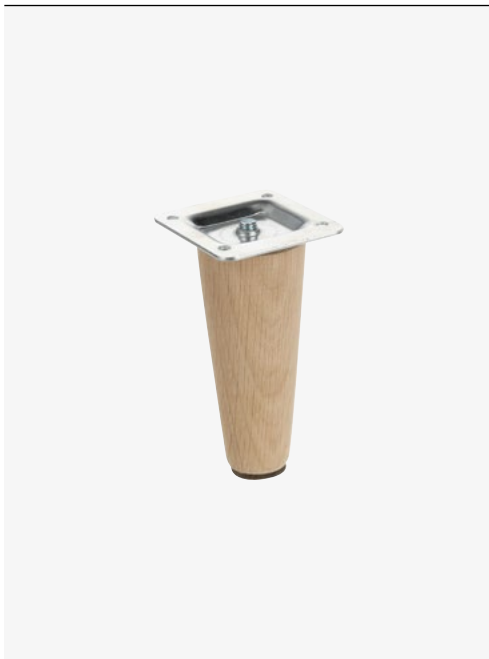
Colour	Height [mm]	Dimension [mm]	Code
Silver	20	60 × 40	F004309

Wooden Furniture Legs

05



⊕ Riex GW20 Furniture Wooden Leg



● Unlacquered natural oak



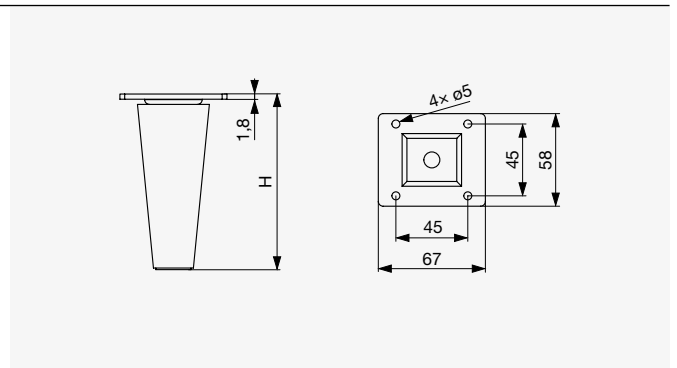
● Lacquered natural oak



● Unlacquered natural beech



● Unlacquered natural pine





Recommended combination with wooden handles p. 4.69.


- Conical straight
- With plate, screw and felt glide
- Packed in 4 pieces
- Natural wood
- Lacquered / non lacquered

Height H [mm]	Unlacquered natural oak	Lacquered natural oak	Unlacquered natural beech	Unlacquered natural pine	Height adjustment [mm]
100	F004992	F004995	F004991	F004990	x
150	F004998	F005001	F004997	F004996	


⊕ Riex GW22 Furniture Wooden Leg

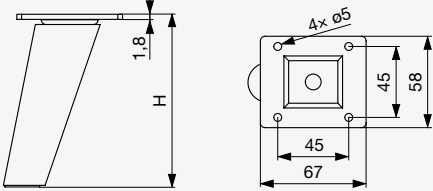
● Unlacquered natural oak



● Lacquered natural oak



● Unlacquered natural pine





Recommended combination with wooden handles p. 4.69.

- Conical inclined
- With plate, screw and felt glide
- Packed in 4 pieces
- Natural wood
- Lacquered / non lacquered


● Unlacquered natural beech

Height H [mm]	Unlacquered natural oak	Lacquered natural oak	Unlacquered natural beech	Unlacquered natural pine	Height adjustment [mm]
100	F005004	F005007	F005003	F005002	x
150	F005010	F005013	F005009	F005008	

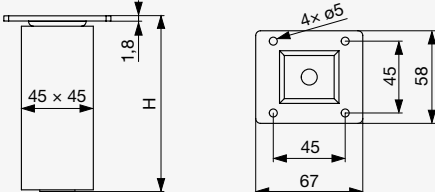
⊕ Riex GW25 Furniture Wooden Leg

● Unlacquered natural oak



● Unlacquered natural pine



Recommended combination with wooden handles p. 4.69.

- Square
- With plate, screw and felt glide
- Packed in 4 pieces
- Natural wood
- Non lacquered

● Unlacquered natural beech

Height H [mm]	Unlacquered natural oak	Unlacquered natural beech	Unlacquered natural pine	Height adjustment [mm]
100	F005016	F005015	F005014	x
150	F005022	F005021	F005020	

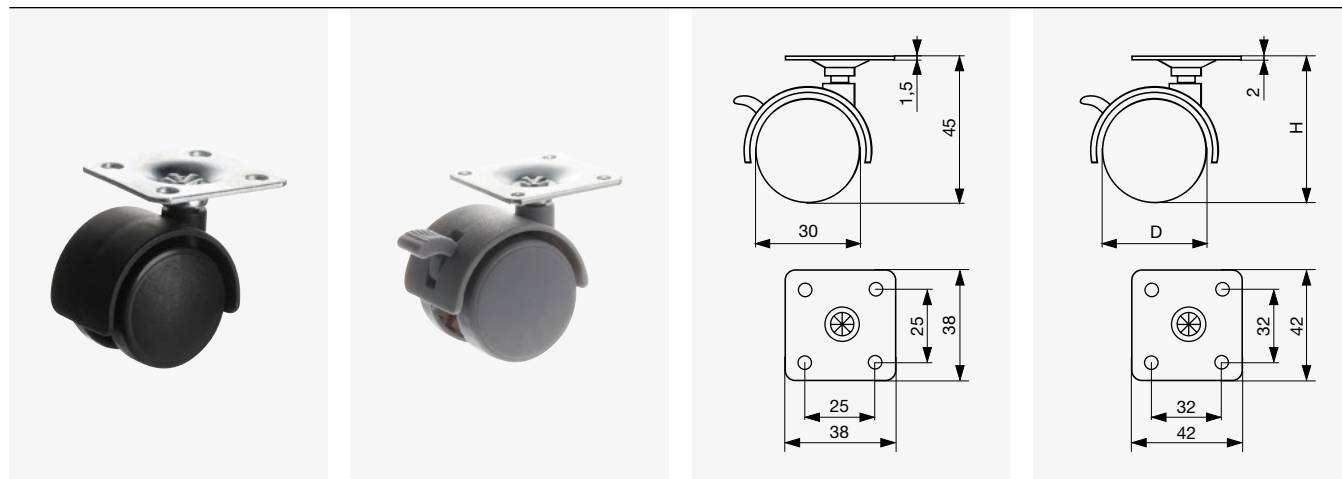
Furniture Castors

05

- For various applications
- Elegant design castors models, high capacity solutions, castors for technical solutions etc.
- The loading capacity of the furniture castors listed in the catalogue is the result of static measurements



● Riex GC10 Furniture Castors



● Black

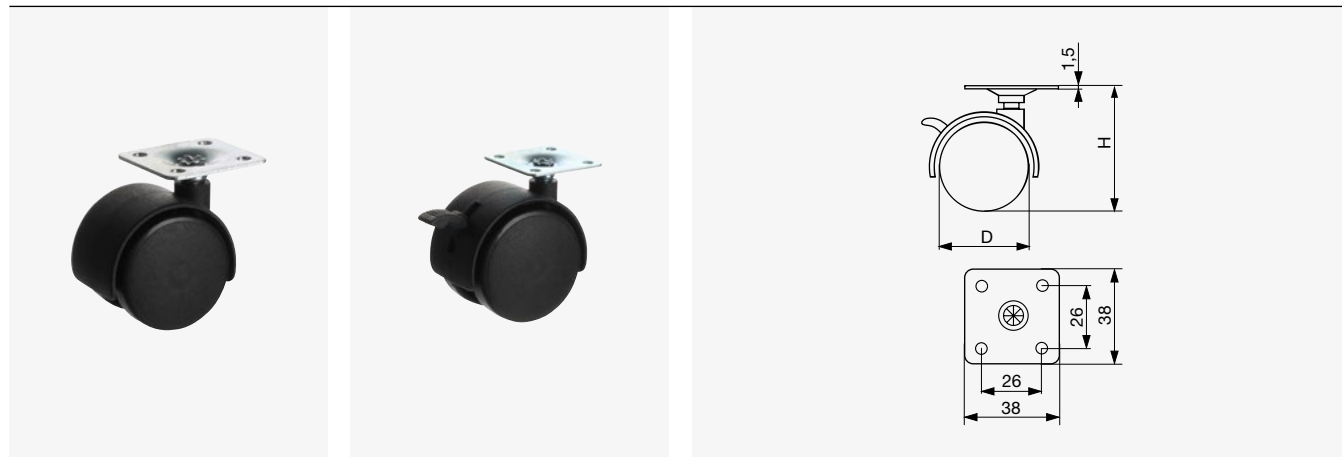
● Grey with brake

○ ø30

○ ø40, ø50

øD [mm]	Colour	Brake	Code	Loading capacity [kg]	Height H [mm]	Castor width [mm]	Plate [mm]
30	Black	No	F000838	25	45	32	38 × 38 × 1,5
		Yes	F000841				
40	Black	No	F000839	30	55	38	42 × 42 × 2
		Yes	F000842				
	Grey	No	F002325				
		Yes	F002327				
50	Black	No	F000840	40	65	45	42 × 42 × 2
		Yes	F000843				
	Grey	No	F002326				
		Yes	F002328				

● Riex GT05 Furniture Castors **ECONOMY**

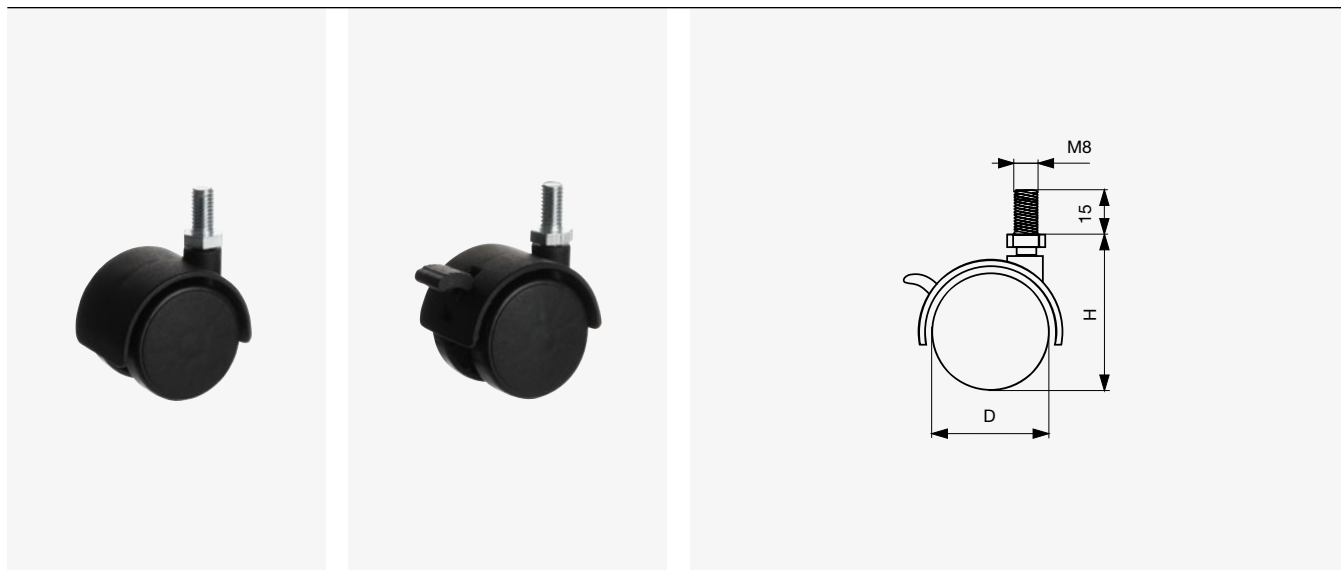


● Black

● Black with brake

øD [mm]	Colour	Brake	Code	Loading capacity [kg]	Height H [mm]	Castor width [mm]	Plate [mm]
40	Black	No	F000848	20	54	37	38 × 38 × 1,5
		Yes	F000850				
50	Black	No	F000849	30	63	44	42 × 42 × 2
		Yes	F000851				

● Riex GC12 Furniture Castor

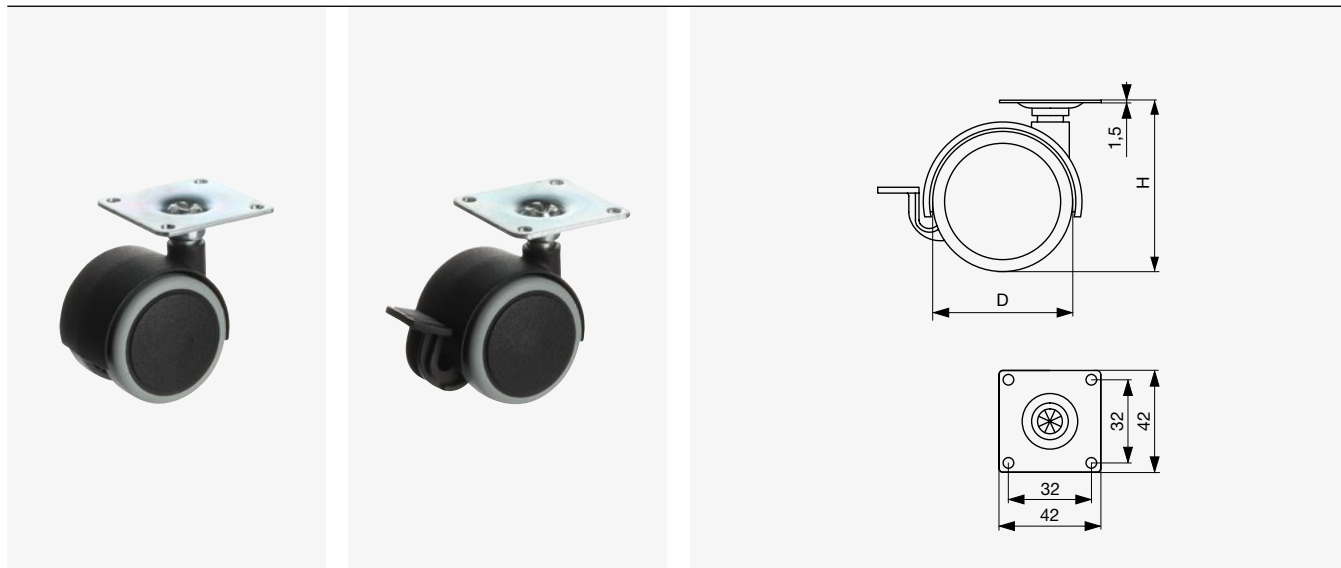


● Black

● Black with brake

øD [mm]	Colour	Brake	Code	Loading capacity [kg]	Screw [mm]	Height H [mm]	Castor width [mm]
40	Black	No	F000844	30	M8 × 15	65	38
		Yes	F000846				
50	Black	No	F000845	40	M8 × 15	76	45
		Yes	F000847				

● Riex GF30 Furniture Castor with Soft Tread

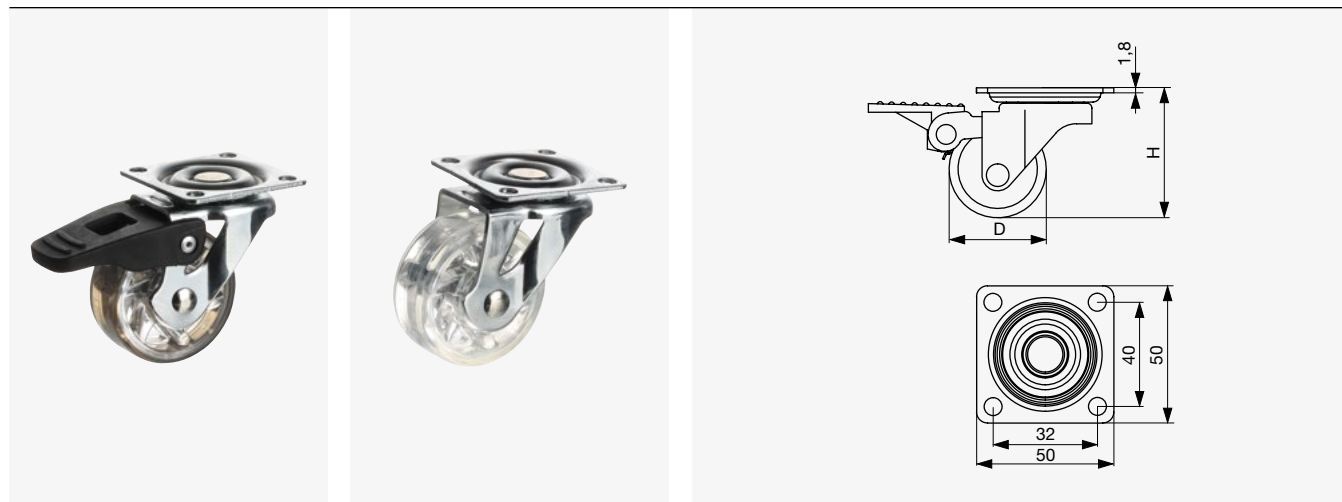


● Black

● Black with brake

øD [mm]	Colour	Brake	Code	Loading capacity [kg]	Height [mm]	Castor width [mm]	Plate [mm]
40	Black	No	F000852	20	57	39	42 × 42 × 1,5
		Yes	F000854				
50	Black	No	F000853	40	68	54	42 × 42 × 1,5
		Yes	F000855				

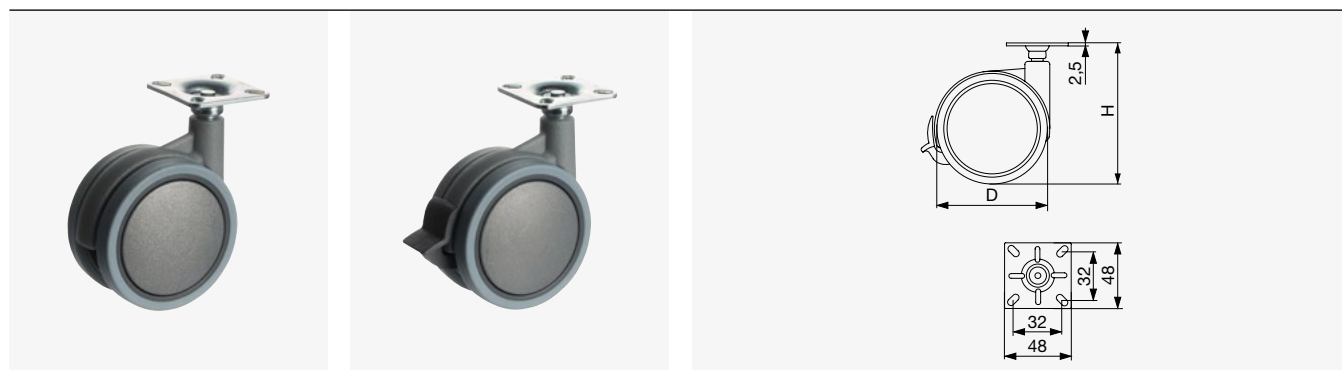
● Riex GC70 Furniture Castor with Soft Tread



● Transparent brown with brake ○ Transparent white

øD [mm]	Colour	Brake	Code	Loading capacity [kg]	Height H [mm]	Tread width [mm]	Plate [mm]
35	Transparent brown	No	F000881	25	52	20	50 × 50
		Yes	F000880				
	Transparent white	No	F000871				
		Yes	F000870				
50	Transparent brown	No	F000887	35	65	20	
		Yes	F000886				
	Transparent white	No	F000877				
		Yes	F000876				
75	Transparent brown	No	F000889	45	90	24	
		Yes	F000888				
	Transparent white	No	F000879				
		Yes	F000878				

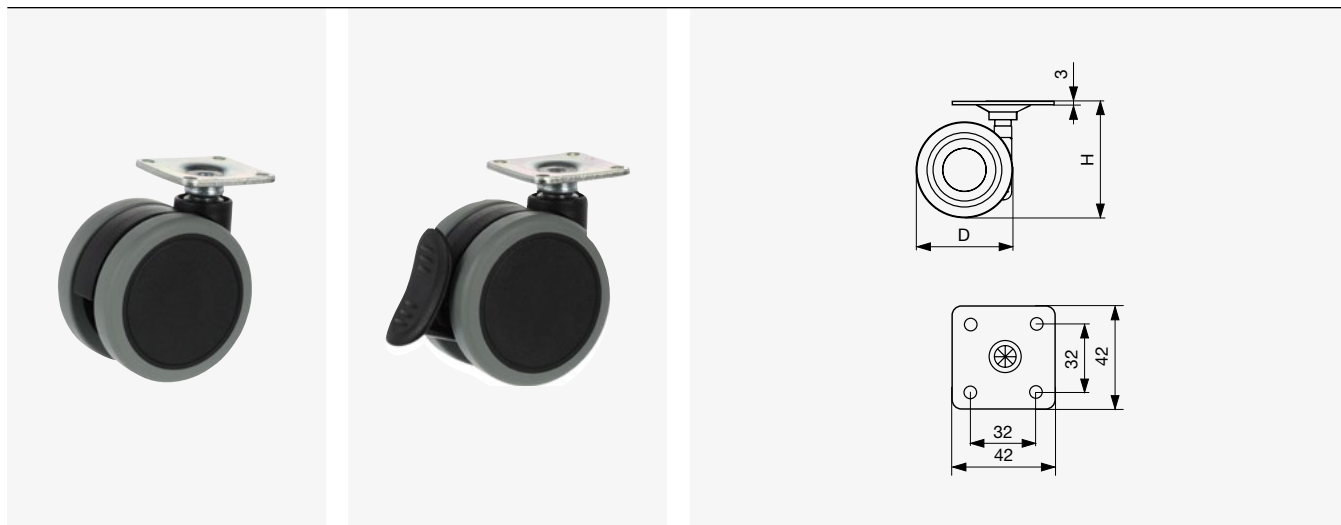
● Riex GB88 Furniture Castors with Soft Tread



● Dark grey ● Dark grey with brake

øD [mm]	Colour	Brake	Code	Loading capacity [kg]	Height H [mm]	Castor width [mm]	Plate [mm]
60	Dark grey	No	F000864	50	87	42	48 × 48 × 2,5
		Yes	F000867				
75	Dark grey	No	F000865	60	105	48	
		Yes	F000868				

● Tente Stylea Furniture Castor with Soft Tread

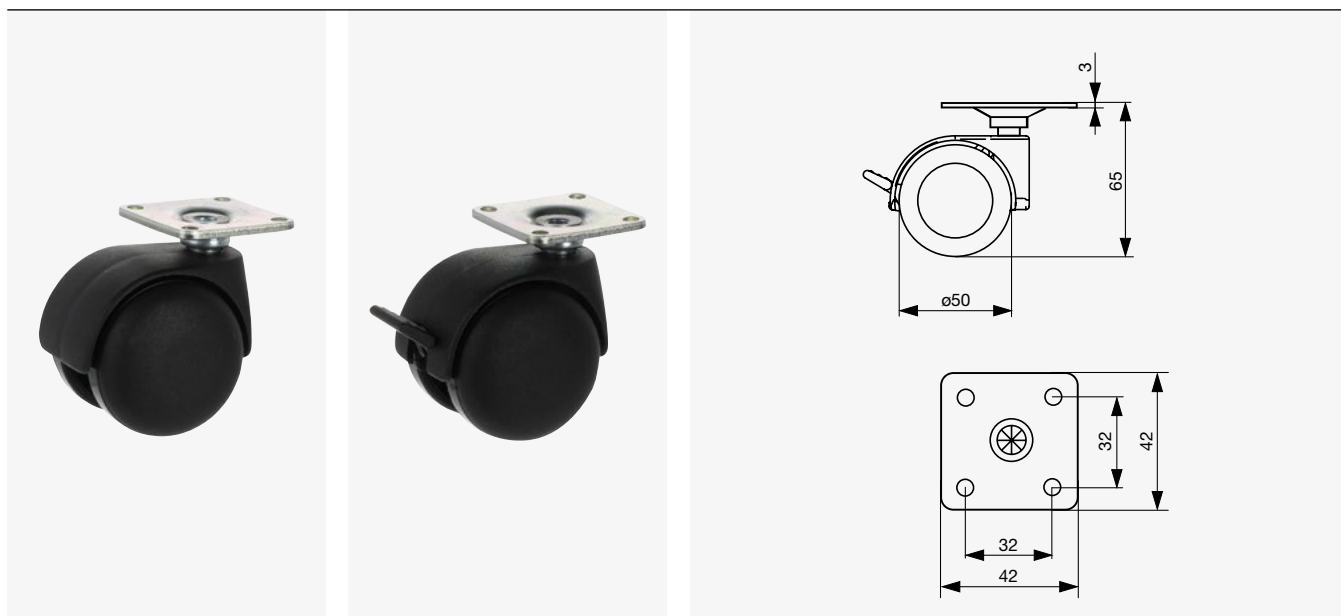


● Black

● Black with brake

øD [mm]	Colour	Brake	Code	Loading capacity [kg]	Height H [mm]	Castor width [mm]	Plate [mm]
40	Black	No	F003579	80	44	52	42 × 42 × 3
		Yes	F003580				
65	Black	No	F003497	100	78	46	
		Yes	F003498				
75	Black	No	F003499		87	53	
		Yes	F003500				

● Tente Lumina Furniture Castor

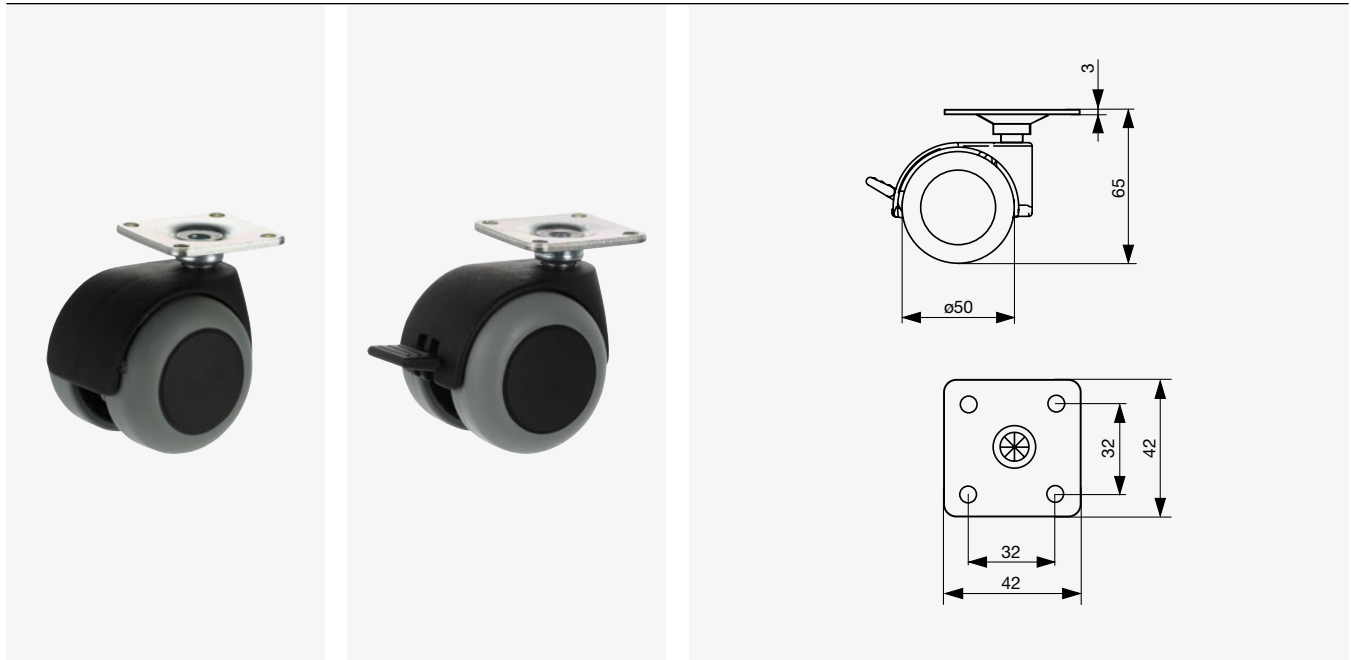


● Black

● Black with brake

Diameter [mm]	Colour	Brake	Code	Loading capacity [kg]	Height [mm]	Castor width [mm]	Plate [mm]
50	Black	No	F003501	80	65	55	42 × 42 × 3
		Yes	F003502				

● Tente Lumina Furniture Castor with Soft Tread

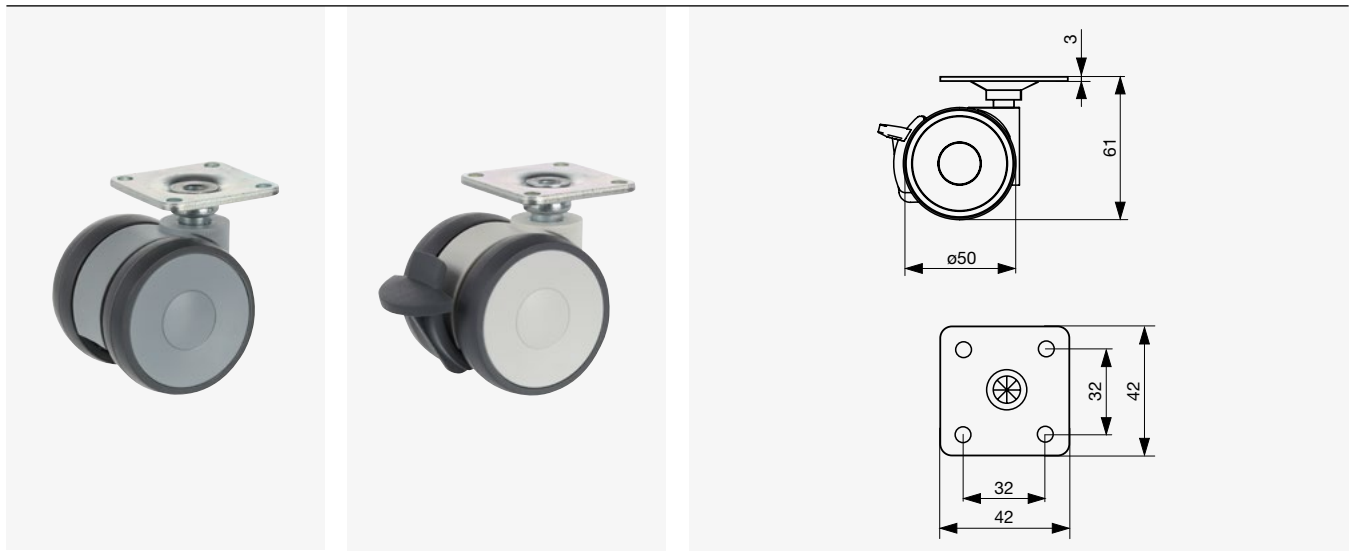


● Black

● Black with brake

Diameter [mm]	Colour	Brake	Code	Loading capacity [kg]	Height [mm]	Castor width [mm]	Plate [mm]
50	Black	No	F003503	80	65	55	42 × 42 × 3
		Yes	F003504				

● Tente Linea Light Furniture Castors with Soft Tread

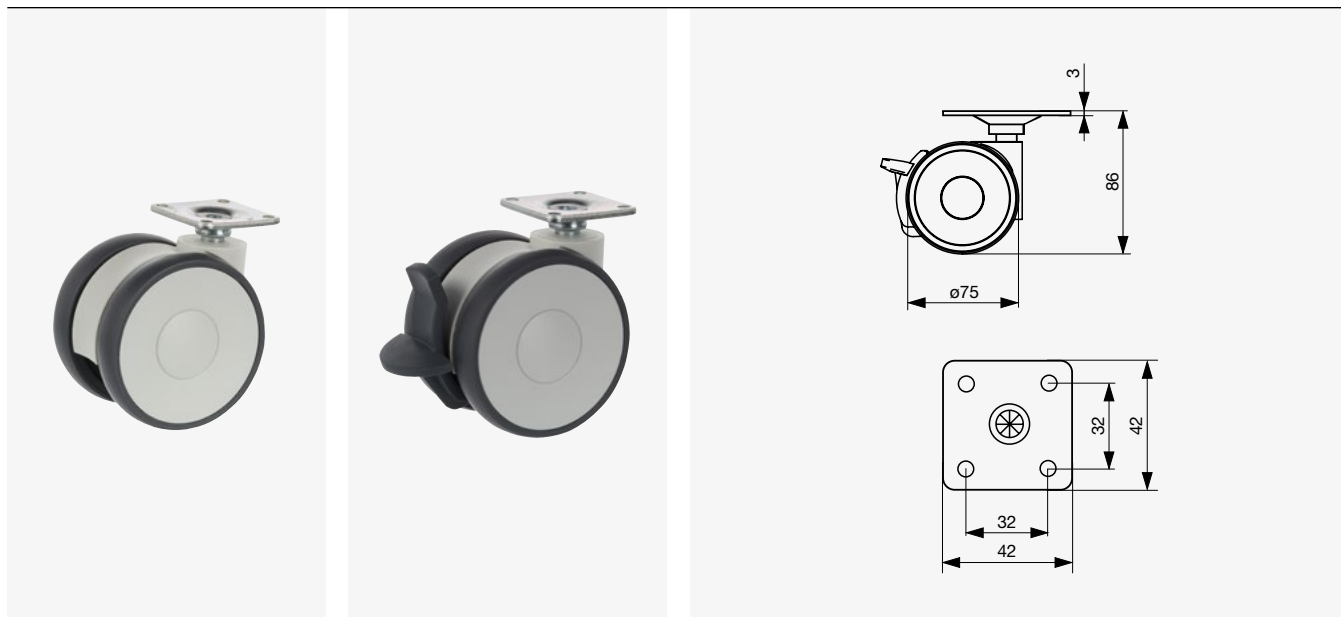


● Grey

● Light grey

øD [mm]	Colour	Brake	Code	Loading capacity [kg]	Height [mm]	Castor width [mm]	Plate [mm]
50	Grey	No	F003505	100	61	48	42 × 42 × 3
		Yes	F003506				
	Light grey	No	F003507				
		Yes	F003508				

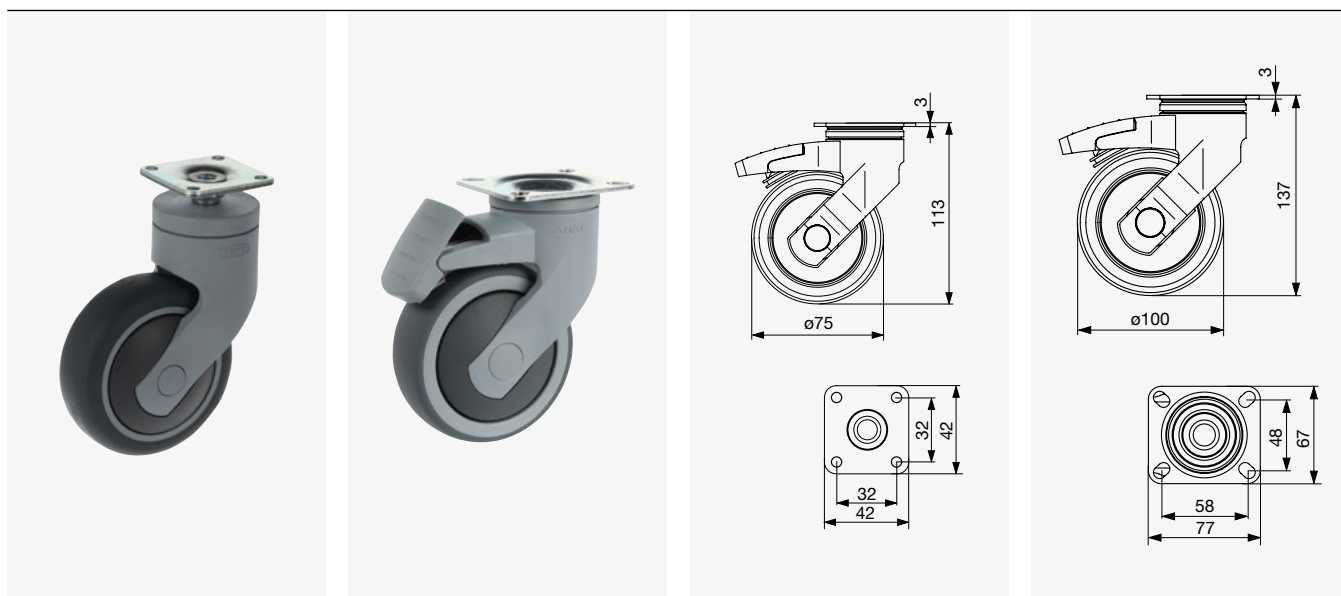
● Tente Linea Furniture Castor with Soft Tread



● Light grey ● Light grey with brake

Diameter [mm]	Colour	Brake	Code	Loading capacity [kg]	Height [mm]	Castor width [mm]	Plate [mm]
75	Light grey	No	F003509	180	86	55	42 × 42 × 3
		Yes	F003510				

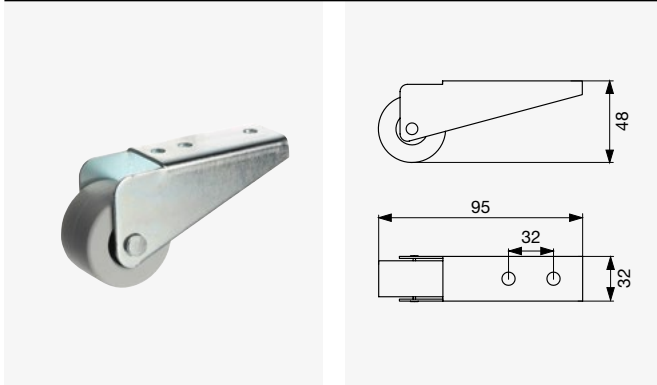
● Tente Levina Furniture Castor with Soft Tread



● ø75 Grey ● ø100 Grey with brake ⓐ F003512 ⓑ F003514

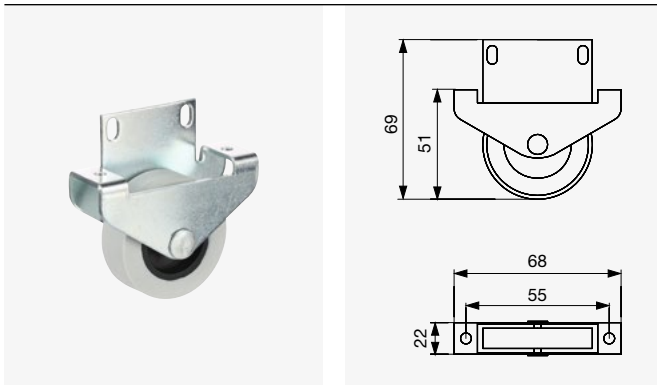
Diameter [mm]	Colour	Brake	Code	Loading capacity [kg]	Height [mm]	Castor width [mm]	Plate [mm]
75	Grey	No	F003511	150	113	25	42 × 42 × 3
		Yes	F003512				
100	Grey	No	F003513	200	137	32	77 × 67 × 3
		Yes	F003514				

⊕ Riex GC42 Furniture Castor with Soft Tread



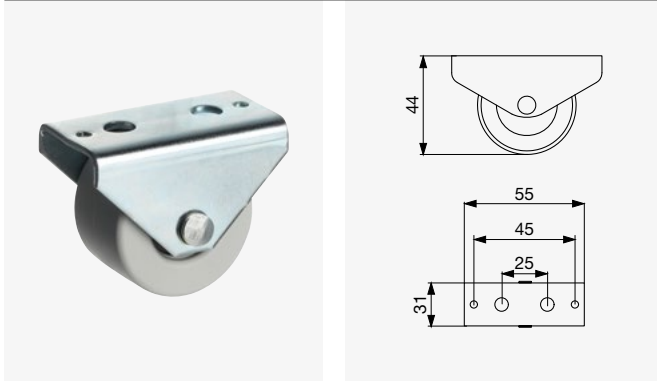
Diameter [mm]	Colour	Construction	Code	Loading capacity [kg]	Height [mm]	Castor width [mm]
40	Grey	Fixed	F002999	100	48	32

⊕ Riex GC44 Furniture Castor with Soft Tread



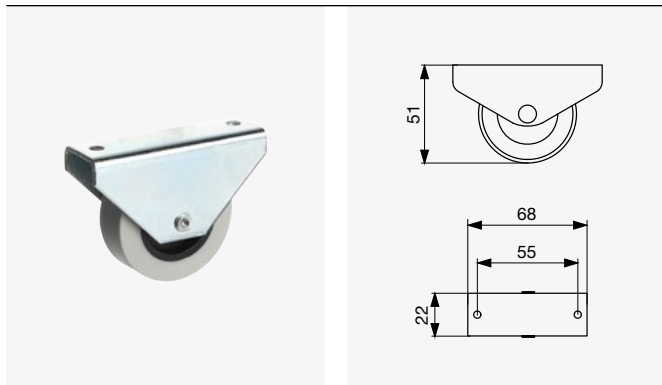
Diameter [mm]	Colour	Construction	Code	Loading capacity [kg]	Height [mm]	Castor width [mm]
45	Grey	Fixed	F003000	90	51	22

⊕ Riex GC46 Furniture Castor with Soft Tread



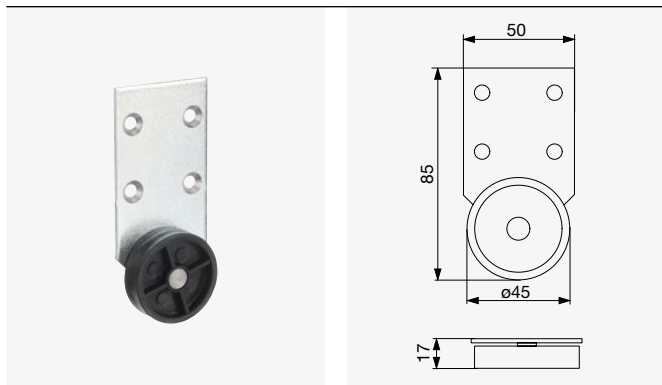
Diameter [mm]	Colour	Construction	Code	Loading capacity [kg]	Height [mm]	Castor width [mm]
40	Grey	Fixed	F003001	95	44	31

❶ Riex GC47 Furniture Castor with Soft Tread



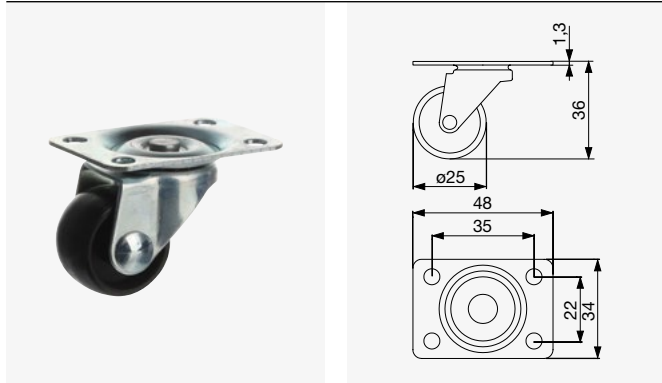
Diameter [mm]	Colour	Construction	Code	Loading capacity [kg]	Height [mm]	Castor width [mm]
45	Grey	Fixed	F003002	90	51	22

❷ Riex GC48 Furniture Castor



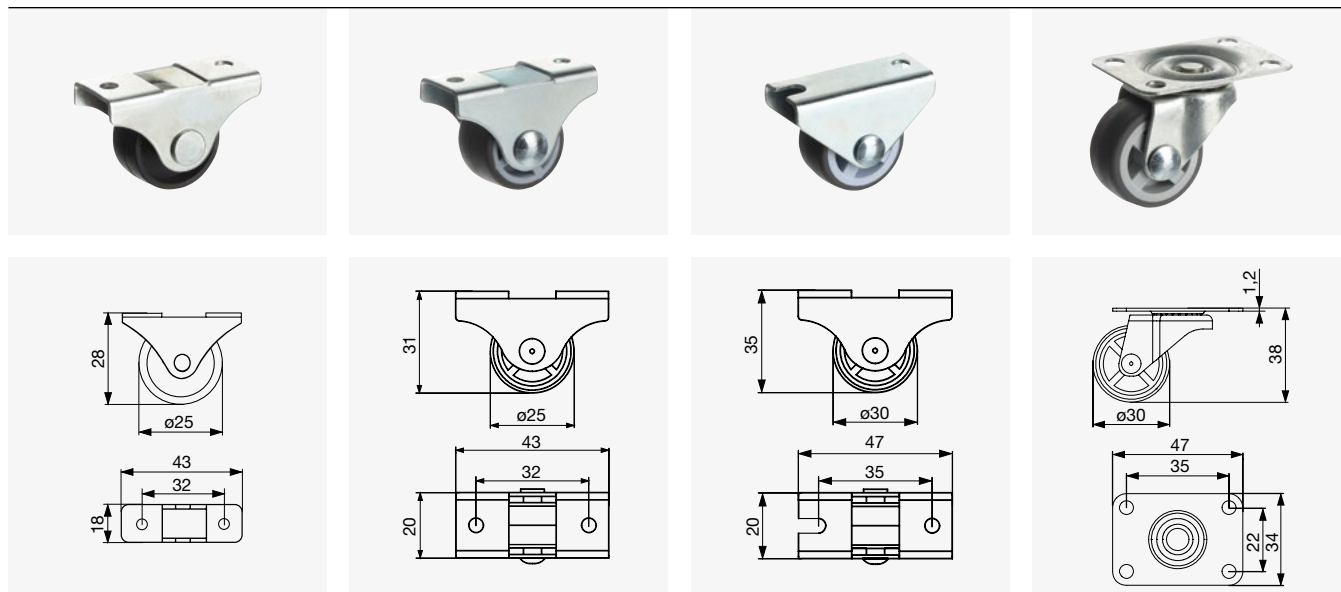
Diameter [mm]	Colour	Construction	Code	Loading capacity [kg]	Height [mm]	Castor width [mm]
45	Grey	Fixed	F003007	60	85	17

❸ Riex GC50 Furniture Castor



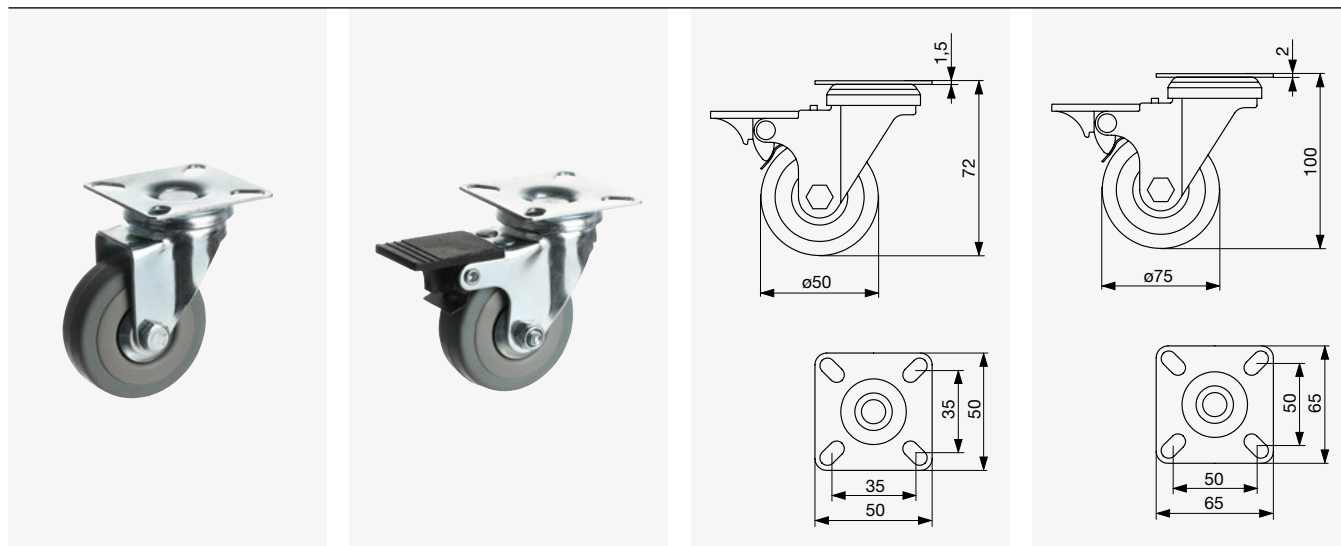
Diameter [mm]	Colour	Construction	Code	Loading capacity [kg]	Height [mm]	Tread width [mm]	Plate [mm]
25	Black	Rotate	F001697	12	36	15	48 × 34 × 1,3

● Riex GC51 Furniture Castor with Soft Tread



Diameter [mm]	Colour	Construction	Code	Loading capacity [kg]	Height [mm]	Castor width [mm]	Plate [mm]
25	Black	Fixed	F000856	25	28	18	43 × 18
	Grey	Fixed	F000857		31	20	43 × 20
30	Grey	Fixed	F000858	30	35	20	47 × 20
		Rotate	F000859		38	20	47 × 34

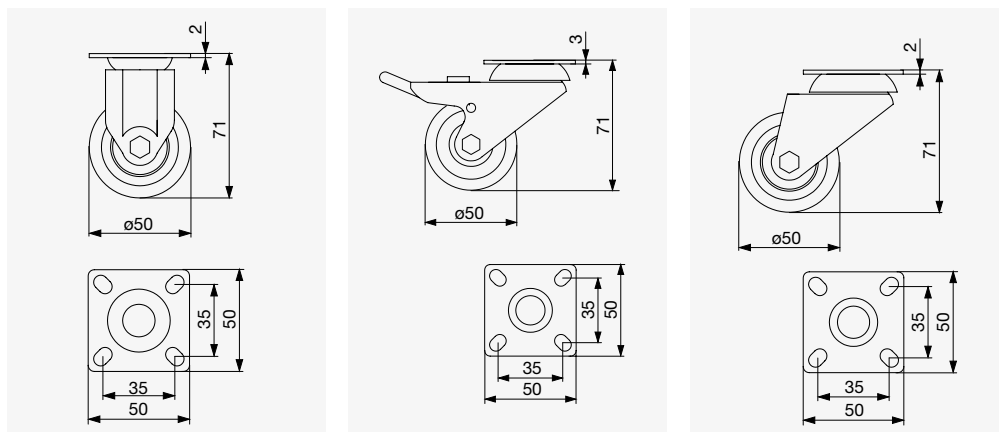
● Riex GC52 Furniture Castor with Soft Tread



Diameter [mm]	Colour	Brake	Code	Loading capacity [kg]	Height [mm]	Tread width [mm]	Plate [mm]
50	Grey	No	F001680	30	72	16,5	50 × 50 × 1,6
		Yes	F001681				
75	Grey	No	F001682	60	100	23	65 × 65 × 1,8
		Yes	F001683				

05

● Riex GC53 Furniture Castor with Soft Tread



● F001686 ● F001685 ● F001684

Diameter [mm]	Colour	Construction	Brake	Code	Loading capacity [kg]	Height [mm]	Tread width [mm]	Plate [mm]
50	Grey	Rotate	No	F001684	50	71	19	50 × 50 × 1,8
			Yes	F001685				
		Fixed	No	F001686				

● Riex GC62 Furniture Castor with Soft Tread



● Grey ● Grey with brake

Diameter [mm]	Colour	Brake	Code	Loading capacity [kg]	Height [mm]	Tread width [mm]	Plate [mm]
75	Grey	No	F001692	70	124	32	60 × 95 × 3,5
		Yes	F001693				

● Riex GC64 Furniture Castor with Soft Tread

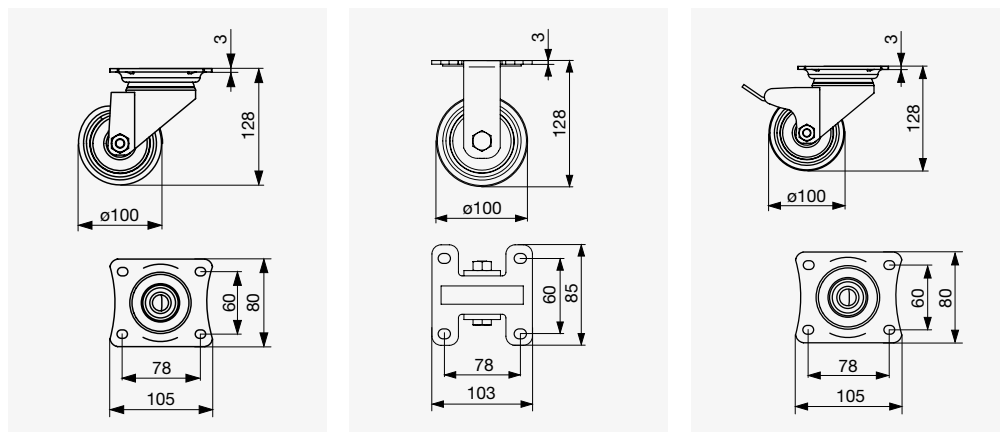
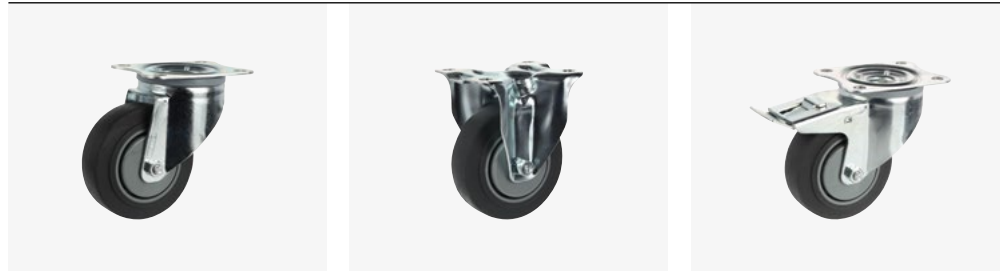


● Grey ● Grey with brake

Diameter [mm]	Colour	Brake	Code	Loading capacity [kg]	Height [mm]	Tread width [mm]	Plate [mm]
100	Grey	No	F001690	60	125	24	70 × 58 × 2,5
		Yes	F001691				

● Tente Alpha Furniture Castor with Soft Tread

TENTE

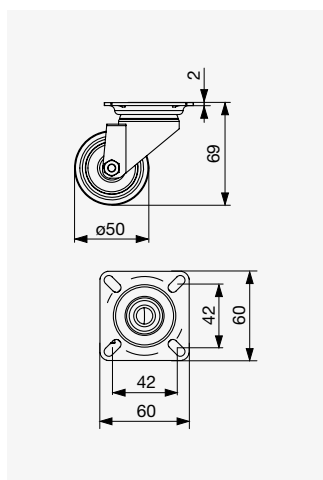
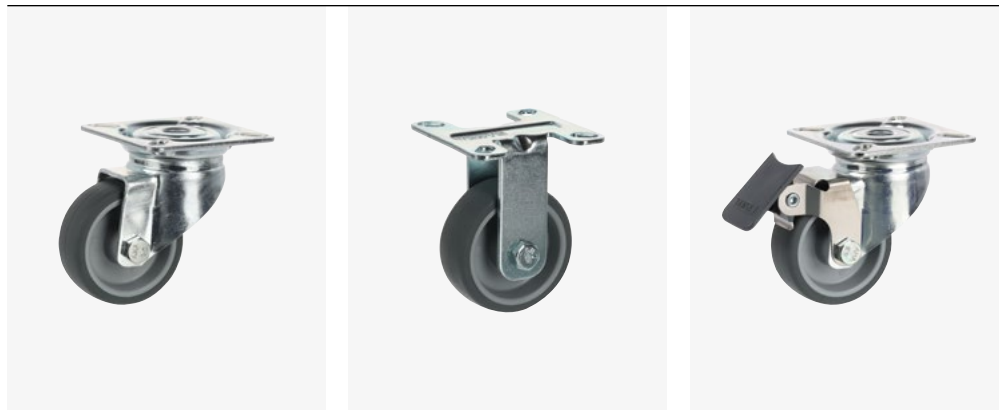


① F003515 ① F003516 ① F003517

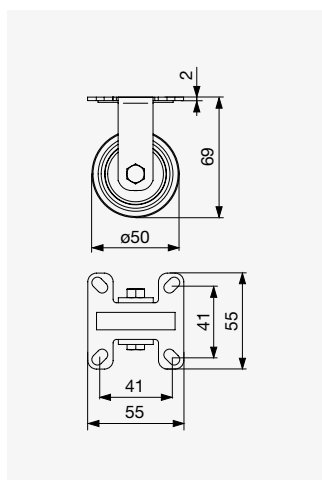
Diameter [mm]	Colour	Construction	Brake	Code	Loading capacity [kg]	Height [mm]	Tread width [mm]	Plate [mm]
100	Grey	Rotate	No	F003515	220	128	28	80 × 60 × 3
		Fixed	No	F003516				
		Rotate	Yes	F003517				

05

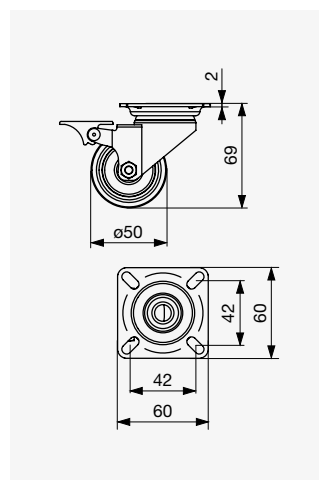
● Tente Agila Furniture Castor with Soft Tread



① F003573



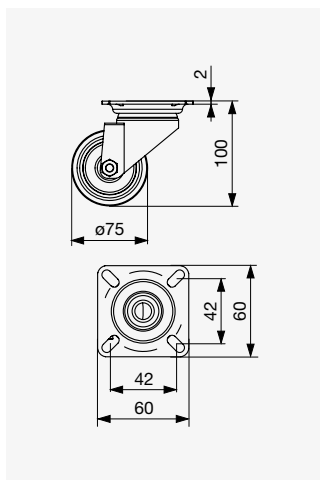
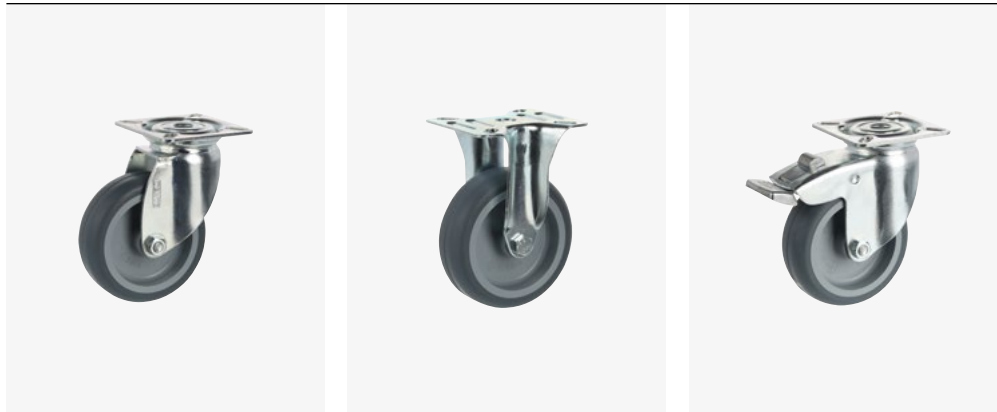
① F003574



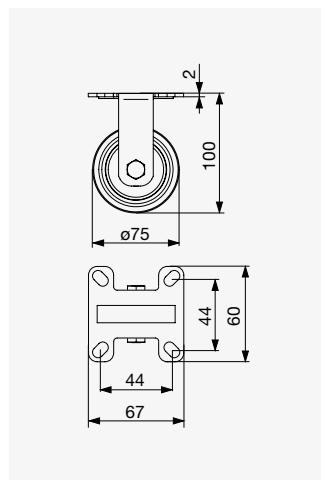
① F003575

Diameter [mm]	Colour	Construction	Brake	Code	Loading capacity [kg]	Height [mm]	Tread width [mm]	Plate [mm]
50	Grey	Rotate	No	F003573	80	69	19	60 × 60 × 2
		Fixed	No	F003574				55 × 55 × 2
		Rotate	Yes	F003575				60 × 60 × 2

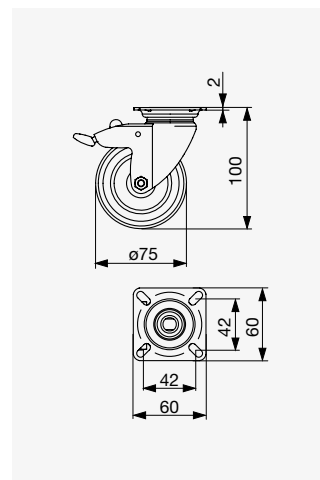
● Tente Agila Furniture Castor with Soft Tread



① F003576



① F003577



① F003578

Diameter [mm]	Colour	Construction	Brake	Code	Loading capacity [kg]	Height [mm]	Tread width [mm]	Plate [mm]
75	Grey	Rotate	No	F003576	150	100	25	60 × 60 × 2
		Fixed	No	F003577				60 × 67 × 2
		Rotate	Yes	F003578				60 × 60 × 2